



IMPORTANT

Read and save these instructions. This guide should be kept by the installer.

HM750A1000

ADVANCED ELECTRODE STEAM HUMIDIFIER

INSTALLATION INSTRUCTIONS



INTRODUCTION

The HM750 is the most advanced residential steam humidifier available and provides steady and reliable humidification for a home. The humidifier is designed for connection directly to a supply air duct for humidity on demand. The humidifier may be directly mounted to the air duct, or remotely from the air duct, with a steam hose connecting the humidifier to a distributor nozzle installed at the air duct.

Included in the Box

- HM750 steam humidifier
- H6062 HumidiPRO
- Steam distributor nozzle
- Rubber drain hose
- LDPE water hose
- Baffle (duct mount only)
- Foam gasket (duct mount only)
- Steam hose (wall mount only)
- Fittings, hardware, and mounting template
- Installation Instructions, 33-00289EF (this document)
- Annual Operation and Maintenance Reminder

Tools Needed

- Flat-head screwdriver
- Phillips screwdriver
- Wrench
- Copper pipe (optional)
- Level
- Hole saw

Humidifier Configuration

The HM750 is configured at the factory to operate under most conditions without the need to change its configuration.

NOTE: Because the humidifier is factory configured for optimal performance, Resideo strongly discourages changes to the configuration of the humidifier not described in these instructions.

Before Installation

1. Ensure that available voltage and phase corresponds with humidifier voltage and phase as indicated on humidifier's specification label.
2. Ensure that the dedicated external fuse disconnect is of sufficient size to handle the rated amps as indicated on the specification label. Refer to local codes.
3. Ensure sufficient clearances will be available as described in the Location section on page 6.
4. If the humidifier will be wall mounted, ensure steam lines can be routed to duct as described in the Steam Line Instructions on page 7.



Table 1. Specifications.

Volts	Steam Output GPD	KW	Amps	Phase	Max Ext. Fuse (Amps)	Standard Cylinder	Net/Full Weight lbs. (kg)	Dimensions W x H x D
110/120	11	1.5	12	1	15	HM750ACYL	10.5 / 18.5 (4.8 / 8.4)	10 x 18 x 7 in. 254 x 457 x 178 mm
220/240	22	3.0						



Fig. 1. Specification label location.

CAUTION
Servicing

Disconnect main power before any servicing.

- The plumbing and electrical compartments contain high voltage components and wiring. Access should be limited to authorized personnel only.
- During and following operation of the humidifier, the steam and components in contact with the steam such as the steam lines, steam distributors, and condensate lines can become hot and can burn if touched.
- Resideo does not accept any liability for installations of humidity equipment installed by unqualified personnel or the use of parts/components/equipment that are not authorized or approved by Resideo.
- **To maintain warranty, only Resideo approved parts and cylinders may be used in the operation of the product.**

CAUTION
Electrical

All electrical work should be done according to local and national electrical code. Electrical connection to be performed by a licensed electrician. Unit recommended to be powered by a dedicated GFCI circuit.

CAUTION
Plumbing

Plumbing to be performed by a licensed plumber. Drain water from humidifier can be very hot. Drain water to floor drain. Do not drain to public sink. All plumbing work should be done according to local plumbing code.

CAUTION
Installation

Do not mount on surfaces hotter than 176 °F (80 °C). Do not mount in area where freezing can occur. Do not mount on vibrating surface. Do not mount on floor. The HM750 produces steam at atmospheric pressure. No devices which could block steam output should be connected to the steam outlet. Steam lines must be installed so that no restriction can produce backpressure in the humidifier. Do not mount outdoors without protection against rain, snow, condensation or equivalent.

CAUTION
Water quality

The HM750 requires a cold water connection from your home's main water supply between 15-100 PSIG. A throttle valve may be necessary, and a water shut-off valve is recommended for safety. **Reverse Osmosis (RO) and Deionized (DI) water must not be used.** Water conductivity is important to ensure the electrode humidifier operates effectively. Resideo recommends 125-1200 µS/cm (microsiemens/cm).

Parts and Accessories

The following parts and accessories are available and may have been included with your HM750 humidifier. The cylinder is the only item that will need periodic replacement to maintain proper humidifier operation.

Table 2. Parts and accessories.

Part/Accessory	Part Number
Replacement Cylinder	HM750ACYL
HumidiPRO Humidistat	H6062A1000
Drain and Fill Valve Kit	HM750AVKIT
Remote and Duct Nozzle Kit	HM750ANKIT
Replacement PC Board	HM750APCB
15 ft. Steam Hose Kit	HM750AHOSEKIT
Differential Pressure Switch for Air Proving	50027910-001

How the Humidifier Works

The HM750 is an atmospheric steam generator that uses heat generated by electrical current flowing between submerged electrodes to generate steam. The HM750 is designed for on-demand air humidification via a steam distributor nozzle.

STEAM GENERATION

- Once the humidistat terminals and the air proving terminals are closed (AP on the control board), the humidifier closes the power relay and measures the electrical current.
- If current is lower than full load amperage, after a brief delay the water fill valve will be activated and water will flow into the fill cup. Water from the fill cup flows into the bottom of the cylinder through a hose connected to the drain valve housing.

NOTE: The cylinder is gravity fed from the fill cup. If backpressure from the steam line is too high it will cause water to back up in the fill cup and flow down the overflow line to the drain.

- As soon as the water in the cylinder comes in contact with the energized electrodes, current flows through the water. The resistance of the water to the electrical current generates heat and in turn steam. The electrical current (and steam output) increases as the level of water increases, as more of the electrode becomes submerged. The unit continues to fill until the current reaches full load amperage, or the high water sensor detects a high water level.
- The water level and current draw in the cylinder decreases from evaporation (through steam generation).
- If the high water sensor was activated before full load amperage is achieved, the water will boil down until the high water sensor is no longer activated. If full load amperage was achieved, the water will boil down to a predefined amperage.
- The HM750 repeats the fill and boil down cycle repeatedly to provide a constant steam output.
- Over time, minerals in the water will adhere to the cylinder electrodes. The humidifier will automatically fill to a higher water level to maintain full capacity during the life of the cylinder. Eventually, because of

scale formation, it will no longer be possible for the humidifier to reach its full capacity. The HM750 software monitors this condition and, when detected, will stop operating and the **Cylinder** LED will be illuminated.

DRAINS

- As steam is produced, minerals are left behind, increasing the conductivity of the water. The HM750 auto-adaptive cycle will monitor the water conductivity and perform drains to maintain the water at optimal conductivity for peak performance.
- The auto-adaptive cycle ensures cylinder life is maximized. It does this by keeping the tightest control and most efficient use of water during the entire cylinder life.

STEAM DISTRIBUTION

Steam generated by the humidifier may be introduced into the air in two different ways. The humidifier may be mounted directly onto the duct, to allow the steam distributor nozzle to enter into the supply air duct. Alternatively, the humidifier may be located remotely from the air supply duct. It may be connected to the distributor nozzle at the duct using a steam hose.

STEAM LINE

The steam line between the cylinder steam outlet and the distributor nozzle serves two purposes: it is used as a conduit to transfer the atmospheric steam from the humidifier to the distributor nozzle, as well as providing a means to remove condensate. See "Steam Line Instructions" on page 7 for information on selecting steam lines.

Whenever steam is distributed, condensate is formed in the distribution system. Insulating steam lines is one important way to reduce the amount of condensate formed. Steam lines must also be sloped so that condensate does not collect in the lines and create a restriction to steam flow. As shown in the Plumbing section, steam lines should maintain a slope back to the humidifier of, as a minimum, 4 in. (10 cm) RISE per 12 in. (30 cm) of RUN.

SIZING

IMPORTANT

The HM750 should only be installed if it has been sized properly. Do not use square feet when sizing a humidifier installation. Instead, cubic feet must be used, since the humidity is filling a volume of space (width x length x height). Also, take into consideration the “tightness” of a home’s construction.

The HM750 produces 11 gallons per day (GPD) when run on 120 V and 22 GPD when run on 240 V. See Figure 20 for details on configuring the HM750 to run on a different voltage.

Table 3 contains AHRI recommendations for humidity requirements and Table 4 shows what humidifiers and output configuration will satisfy the humidification requirements.

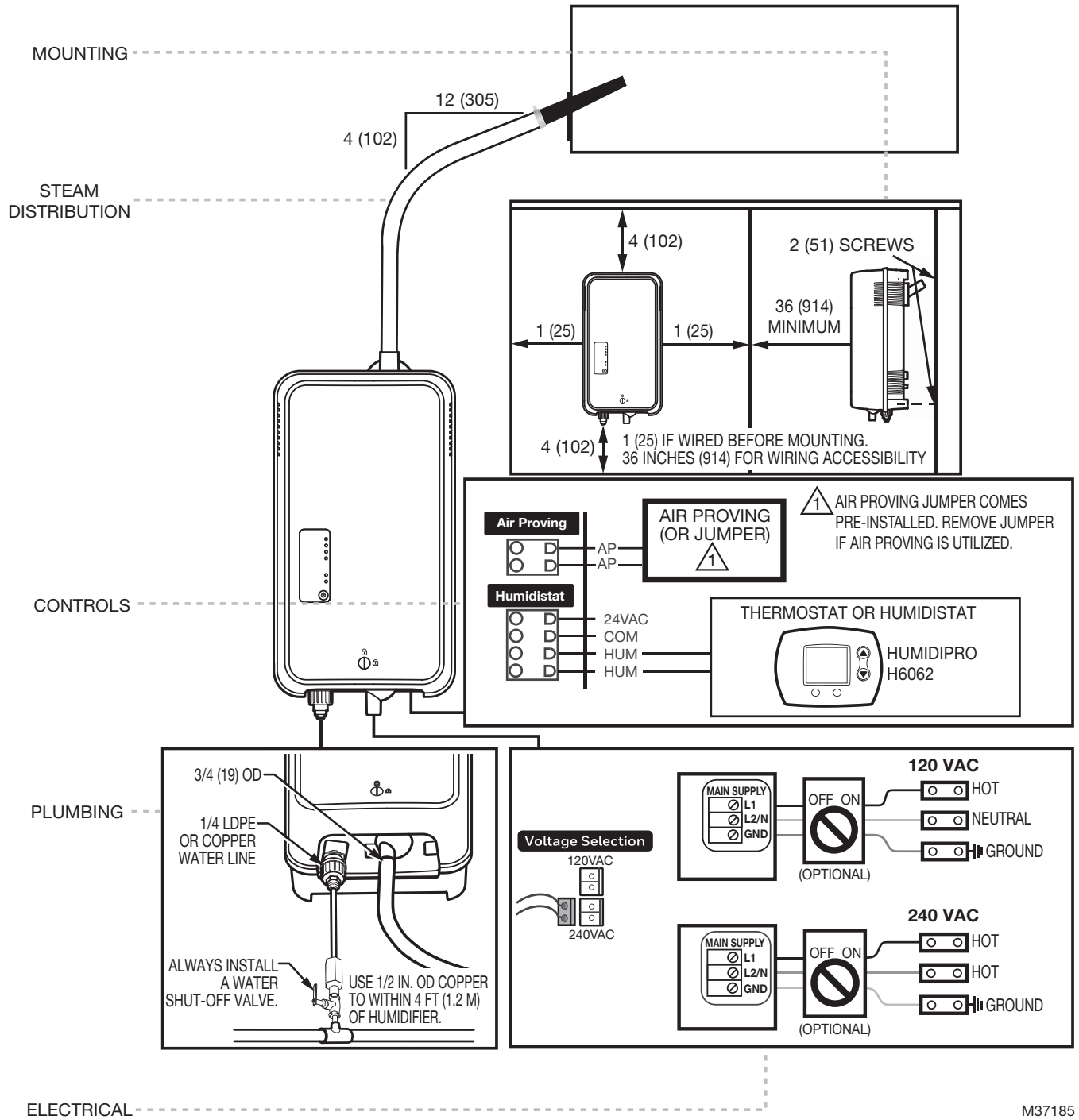
Table 3. AHRI Recommended Humidity (in US gallons per day).

Construction Type	8,000 ft³	12,000 ft³	16,000 ft³	20,000 ft³	24,000 ft³	32,000 ft³	40,000 ft³
Tight	3.3	5.0	6.7	8.3	10.0	13.4	16.7
Average	6.7	10.0	13.4	16.7	20.0	26.7	33.4
Loose	10.0	15.0	20.0	25.0	30.1	40.1	50.1

Table 4. Steam humidifier(s) necessary for application.^a

Construction Type	8,000 ft³	12,000 ft³	16,000 ft³	20,000 ft³	24,000 ft³	32,000 ft³	40,000 ft³
Tight	11 GPD	11 GPD	11 GPD	11 GPD	11 GPD	11 GPD (x2) or 22 GPD (x1)	11 GPD (x2) or 22 GPD (x1)
Average	11 GPD	11 GPD	22 GPD	22 GPD	22 GPD	11 GPD (x4) or 22 GPD (x2)	11 GPD (x4) or 22 GPD (x2)
Loose	11 GPD	22 GPD	22 GPD	11 GPD (x4) or 22 GPD (x2)	11 GPD (x4) or 22 GPD (x2)	11 GPD (x4) or 22 GPD (x2)	11 GPD (x5) or 22 GPD (x3)

^a In the table above, 11 GPD indicates a steam humidifier configured to run on 120 V and 22 GPD indicates a steam humidifier configured to run on 240 V.



M37185

Fig. 2. Typical HM750 Installation. Measurements in inches (mm).

LOCATION

Mount on a suitable wall or vertical surface. Do not sit the unit on the floor. Allow clearances required for plumbing and electrical connections. Clearance dimensions shown are for reference only and are the minimum required for maintenance of the humidifier.

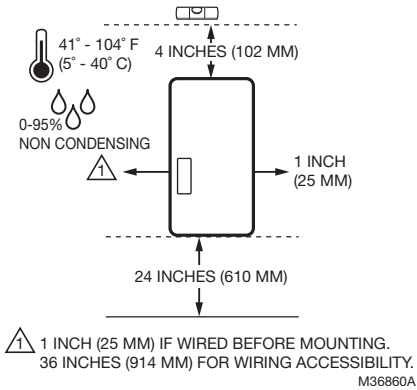


Fig. 3. Clearances for the HM750.

Consult local and national codes before final location and installation. Resideo does not accept responsibility for installation code violations.

- Install only in areas with ambient temperature 41 to 104 °F (5 to 40 °C) and relative humidity 5 to 95 %, non-condensing.
- Humidifier must be installed below the steam distributor nozzle. Take care to provide proper steam line routing.
- DO NOT locate the humidifier any further than absolutely necessary from the steam distributor nozzle location as net output will be reduced as a result of heat loss through the steam line.
- When possible, mount the HM750 humidifier at a height convenient for servicing.

NOTE: Do not mount on surfaces above 176 °F (80 °C), where freezing can occur, vibrating surface, or floor.

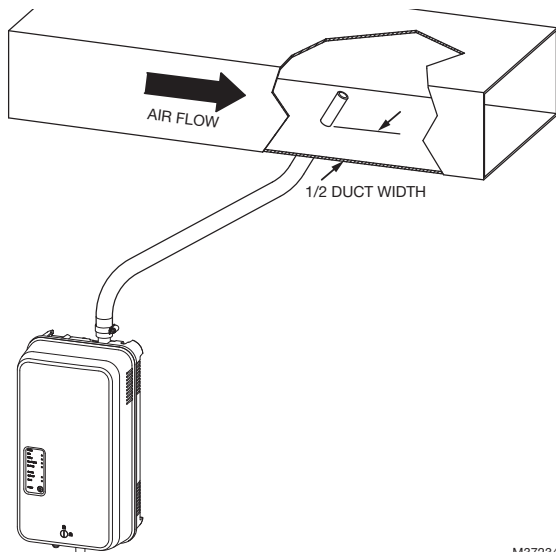


Fig. 4. Distributor nozzle installed vertically in a horizontal duct. (Remote mount)

Steam Nozzle Location

Whether the humidifier is being installed directly on the air duct or remotely, the location of the distributor nozzle in the air duct should follow the subsequent rules:

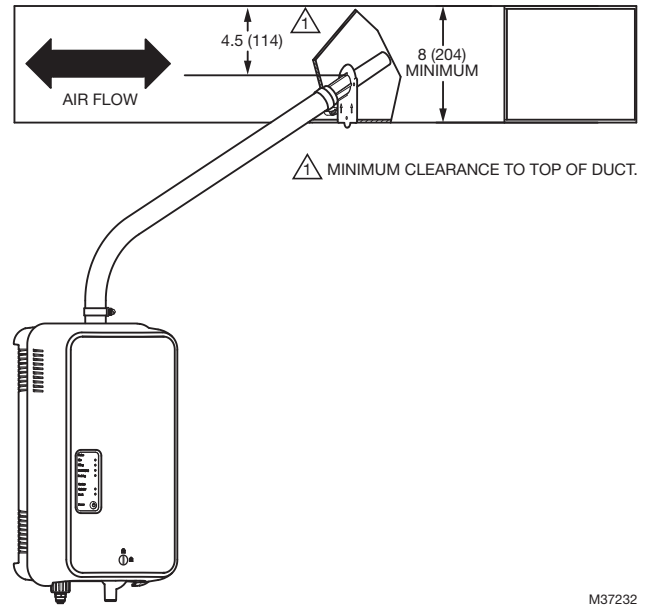


Fig. 5. Distributor installed horizontally (side mount) in a horizontal duct. (Remote mount) Measurements in inches (mm).

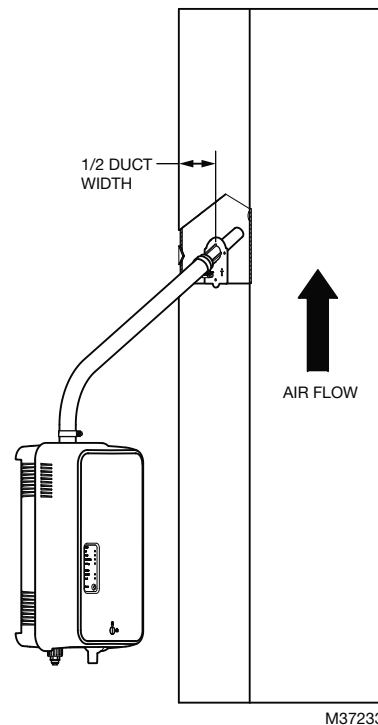


Fig. 6. Distributor nozzle installed horizontally in a vertical duct. (Remote mount)

Steam Line Instructions

The following instructions must be followed for installation of steam lines for the HM750. Failure to use recommended material (see Table 5), or failure to follow any other steam line installation instructions will result in improper operation and could void the warranty.

Table 5. Recommended Steam Line Material for HM750 Duct.

Voltage	Steam Output		Material*	Steam Line Length	Possible Losses		Minimum Airflow CFM	Max Static Pressure
	lbs/hr (kg/hr)	GPD			lbs/hr	GPD		
110/120V	3.8 (1.7)	11	1 in. dia.	Recommended: 5 ft. (1.5 m)	0.4	1.1	115	2.0 in. w.c.
220/240V	7.7 (3.5)	22		Maximum: 15 ft. (4.6 m)	0.4	1.1	230	

* The use of steam line other than Resideo supplied steam hose line will void the warranty and may adversely affect the operation of the humidifier.

NOTE: Condensate is not returned to the humidifier using a separate condensate line. Rather, the condensate is returned to the humidifier via the steam line. Ensure proper sloping. If a condensate pump is preferred, ensure the pump is rated for hot water.

Main Rules for Atmospheric Steam Lines

- Steam lines must not have any restrictions which could result in back pressure.
- Maximum recommended steam line length: 15 ft. (4.6 m)
- Use only Resideo supplied hose and follow recommended lengths.
- Install steam line in a vertical (upwards) fashion from the HM750 to the distribution nozzle, with a minimum slope of 4 in. (10 cm) RISE for every 12 in. (30 cm) RUN.
- Insulate with 1.5 in. (3.8 cm) pipe insulation on steam hose (recommended).
- Do not over tighten hose clamp at cylinder steam outlet.
- If the 15 ft. steam hose is used, support the hose to maintain proper slope and avoid excess weight on the humidifier and nozzle.

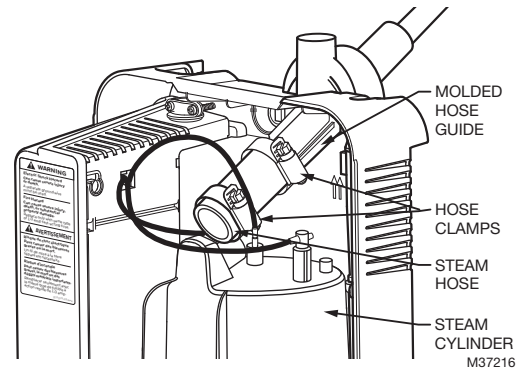


Fig. 7. Molded steam guide.

Steam Distributor Nozzle

Remote-Mount – The HM750 must be connected with a steam hose to a steam distributor nozzle installed in the supply-side of ductwork. As shipped, the HM750 is configured with a steam guide for remote mounting. The steam outlet points upwards and is only used when the humidifier is installed remote to the air supply duct.

The steam distributor nozzle should be installed as close as possible to the humidifier – to a maximum of 15 ft. (4.6 m). The HM750 is supplied with a 5 ft steam hose. A 15 ft hose is available as an accessory. Short steam distribution lines minimize condensate loss and the possibility of generating backpressure in the steam distribution line. It is important that the steam line have a constant slope of, as a minimum, 4 in. (10 cm) RISE for every 12 in. (30cm) of RUN. See Fig. 8.

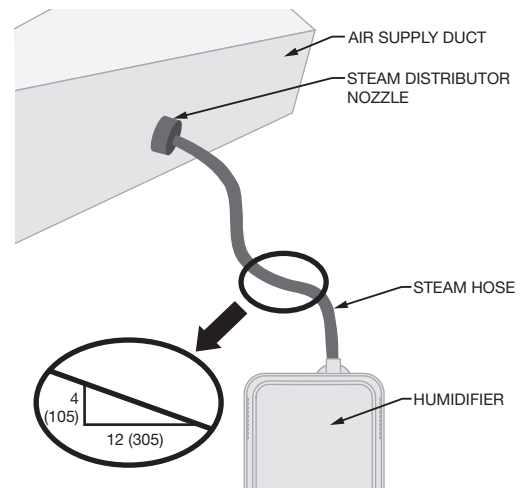
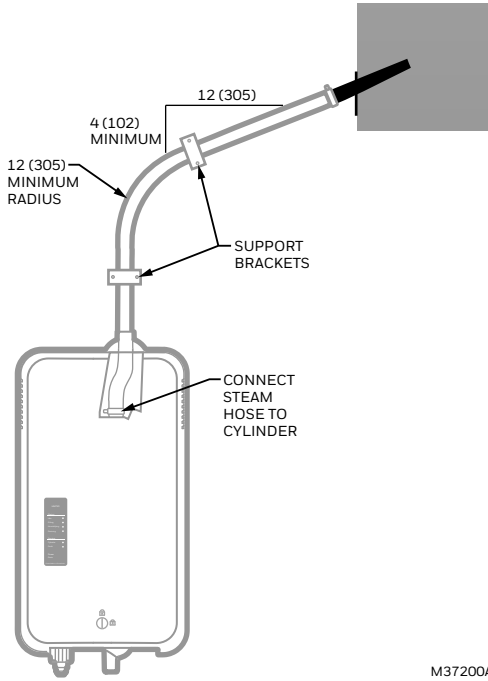


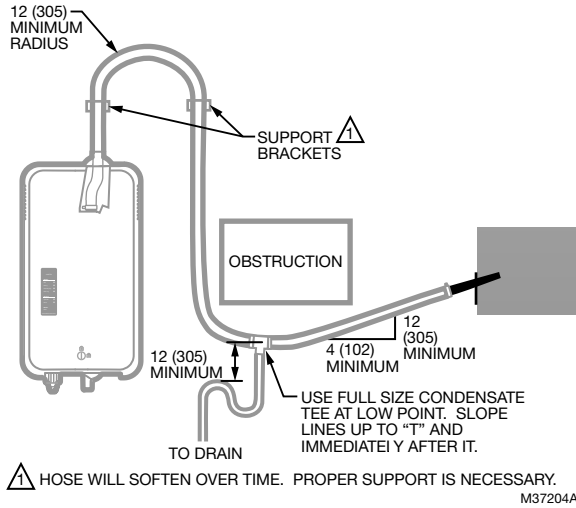
Fig. 8. Minimum slope requirements for steam line. Measurements in inches (mm).

Steam Line Installation Examples



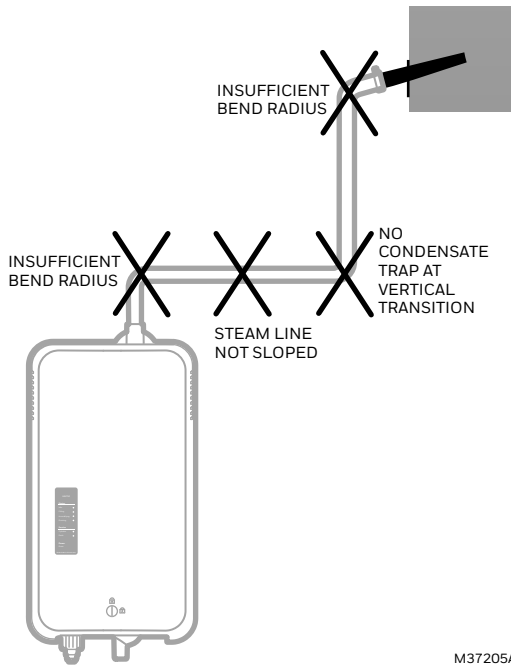
M37200A

Fig. 9. Steam distributor above humidifier (hose). Measurements in inches (mm).



M37204A

Fig. 10. Steam distributor below humidifier with obstruction (hose). Measurements in inches (mm).



M37205A

Fig. 11. Common steam line installation errors.

MOUNTING THE HUMIDIFIER

The HM750 can be mounted either directly on a supply air duct or remotely mounted on a wall. When remotely mounted the steam nozzle is mounted on a duct and connected to the HM750 with a steam hose.

The HM750 has a keyhole and three additional mounting holes as shown in Fig. 12.

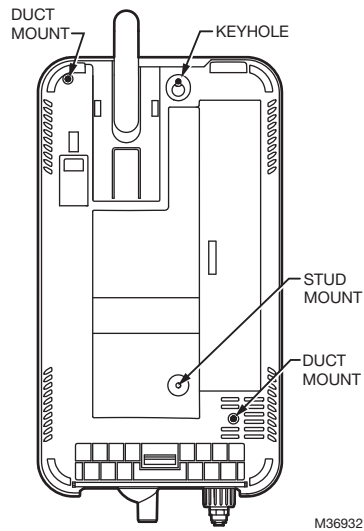


Fig. 12. Mounting locations. (Rear view)

Mounting to a Wall

The HM750 comes in wall-mount configuration. In this configuration, the humidifier can be mounted to a 2x4 stud and the steam distributor nozzle, located at the end of a 5 ft. (1.5 m) steam hose, is inserted through the air supply duct (Fig. 13).

NOTE: Use #8 screws at least 2 in. (5 cm) in length (included) to mount directly to a 2x4 stud. Use longer screws if the stud is behind a drywall or other spacer.

NOTE: The steam distributor nozzle **MUST** be installed higher than the humidifier (see Fig. 13). The steam hose should maintain an inclination of at least 4 inches (10 cm) of rise for every 12 inches (30 cm) of run.



CAUTION

Do not remove the cover when the humidifier powered.

1. Remove the humidifier cover and pull out the cylinder. Insert the top screw until 1/4 in. (6 mm) is exposed. Hang the humidifier via its keyhole on the screw head (see Fig. 12).
2. After making sure the humidifier is level, affix it to the stud with another screw at the lower stud-mount location (Fig. 12).

3. Drill a 1-3/4" hole in the duct for the steam distributor nozzle. Attach the steam hose to the distributor nozzle and the remote adapter on the humidifier. Then insert the steam distributor nozzle and secure it with screws.

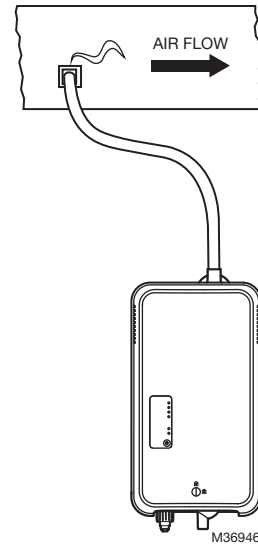


Fig. 13. Wall mount.

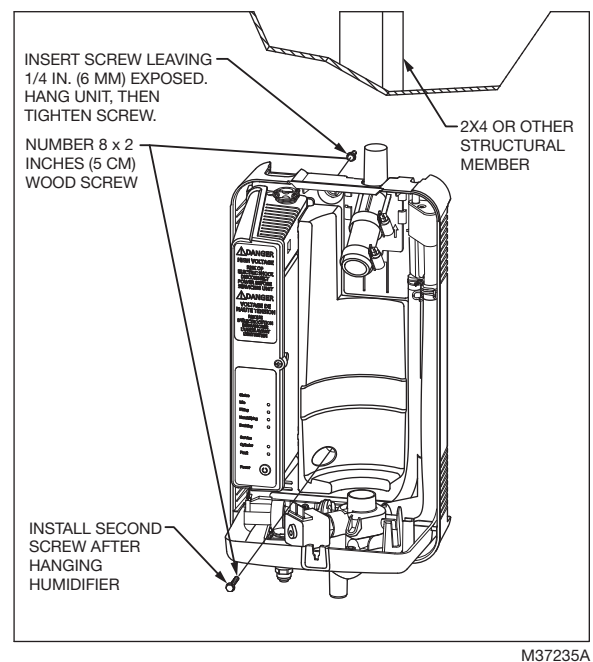


Fig. 14. Mounting with keyholes.

Mounting to the Supply Duct

The HM750 can also be mounted directly onto the supply duct. In this case, the steam guide must be removed and replaced with the steam nozzle and baffle as follows:

REMOVE THE STEAM GUIDE



CAUTION

Do not remove the cover when the humidifier powered.

1. Remove the humidifier front cover.
2. Remove the cylinder plugs and high water sensor plug from the cylinder pins by pulling vertically.
3. Loosen the hose clamp furthest from the cylinder steam outlet (the one attached to the plastic steam guide). Remove the cylinder with the short steam hose still attached. See Fig. 15.
4. Remove the hose adapter by pressing on the release tab toward the back of the humidifier and sliding the hose adapter down.

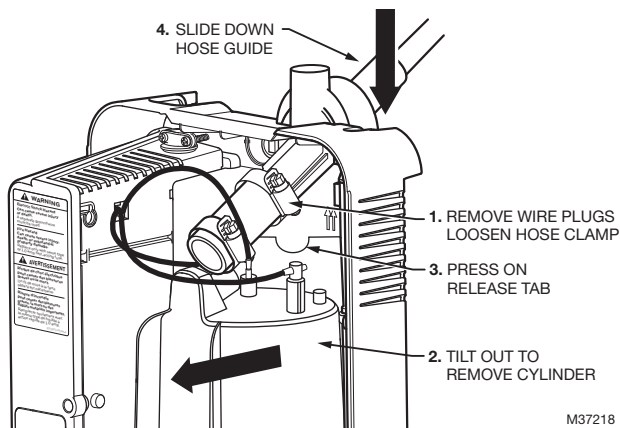


Fig. 15. Changing to duct mount configuration.

PREPARE THE STEAM NOZZLE

1. Locate the supplied steam nozzle and baffle.
2. **Insert the baffle into the duct-mount nozzle.**

NOTE: There is a keying feature on the baffle that ensures proper orientation of the baffle in the nozzle.



Fig. 16. Insert baffle into the duct-mount nozzle. Key ensures proper alignment.

INSTALL THE STEAM NOZZLE

1. Install the nozzle with baffle directly onto the humidifier at the location where the hose adapter was removed. It clicks into place.
2. Insert cylinder base into drain valve. Press down on the cylinder to ensure it is properly seated in the drain valve, otherwise it could leak
3. Rotate the cylinder back in place while guiding the short steam hose attached to the cylinder onto the duct mount nozzle.
4. Secure the steam hose to the duct mount nozzle with the hose clamp. Do NOT overtighten, or the duct mount nozzle could be damaged.
5. Reconnect the cylinder plugs and high water sensor plug to the cylinder pins.

MOUNT HUMIDIFIER ON DUCT

1. Using the duct mount template supplied with the humidifier, locate the template on the side of the duct where the humidifier will not interfere with the operation or maintenance of the furnace.
2. Following the template, drill a 1-3/4" hole in the duct to insert the duct mount nozzle.
3. Insert the top screw until 1/4 in. (6 mm) is exposed. Hang the humidifier via its keyhole on the screw head (see Fig. 17).

NOTE: The donut-shaped foam gasket must be installed between the humidifier and the duct.

4. After making sure the humidifier is level, secure it to the duct using two screws at the duct-mount locations (Fig. 12), and then replace the cover.

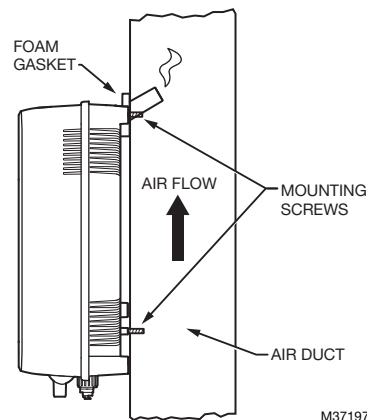


Fig. 17. Duct mount. Install foam gasket between humidifier and air supply duct.

PLUMBING

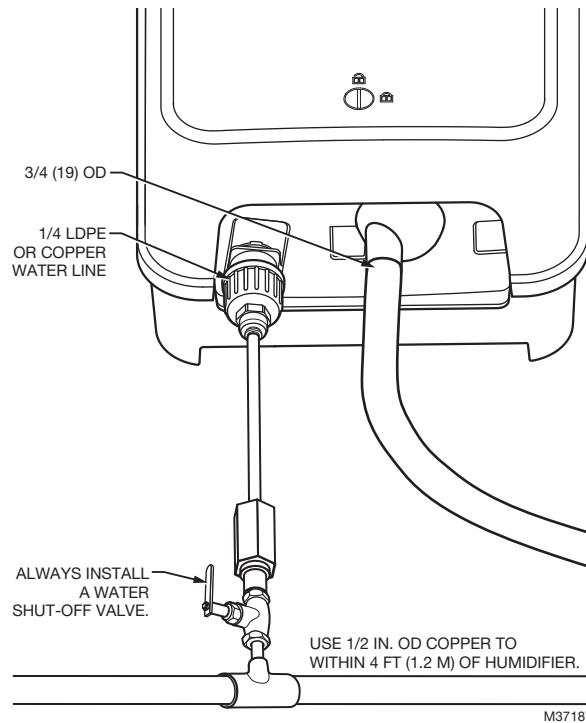


Fig. 18. Water supply and drain connection.

IMPORTANT

- Use potable water.
- All water supply and drain line connections should be installed in accordance with local plumbing codes.
- Drain water is automatically cooled to 160 °F (71 °C) when HM750 cycles a drain. When an emergency drain occurs, temperature may be higher. The drain material (tube and drain) must be rated for 200 °F (93 °C).
- Supply water should be between 30 and 100 PSIG. A PRV may be used, if necessary.
- **Do not use reverse osmosis or deionized water. Supply water must be between 125–1200 µS/cm (microsiemens/cm) for optimal performance.**
- **Supply water should be cold;** 39.2 to 86 °F (4 to 30 °C).
- Install water shut off valve before humidifier to facilitate servicing.
- The drain line should not end in a sink used frequently by personnel for safety reasons, or where plumbing codes prohibit it. Route to a floor drain or connect directly to building drain system.
- Ensure drain line is adequately sized to provide free and easy draining. A restricted drain can cause cylinder water to over concentrate and result in poor operation.
- Drain line must be continuously sloped down from unit.
- If a drain is not located near the humidifier, use a condensate pump rated for hot drain water.

Connecting the Water Supply Line

Connect water supply line (Copper or LDPE, supplied with equipment) to the supply connection (Fig. 18). This is done by pushing the water pipe into the quick-connect fitting.

NOTE: To remove the water supply line, the floating tip of the fill connection is pushed in slightly, which will release the grip on the water supply line. The water supply line is then free to be removed.

Connecting the Drain Line

Connect drain hose (supplied with equipment) to the drain connection (Fig. 18). Note that there is an internal air gap in the drain, so no air gap is required external of the humidifier. The drain line may be connected directly to the red drain spigot using a gear clamp or similar.

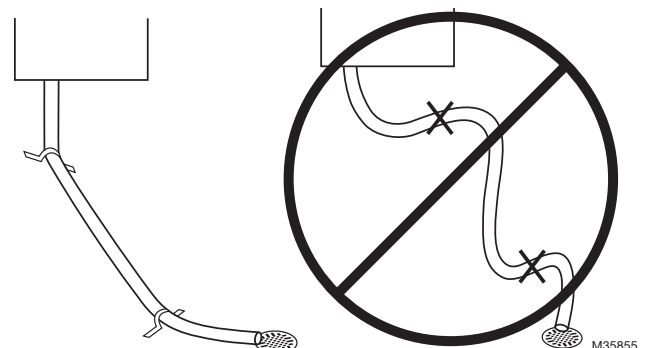


Fig. 19. Proper drain hose routing (anchors not included).

ELECTRICAL

CAUTION
 Wiring to be performed by a licensed electrician. Installation on a GFCI circuit is recommended. Do not remove the cover when the humidifier powered.

CAUTION
Equipment Damage Hazard
 Failure to wire the humidifier in accordance with the wiring instructions may cause permanent damage to the product and will void the warranty.

Voltage Selection

To select the correct voltage (120 VAC or 240 VAC), ensure that the jumper is properly placed between the appropriate terminals of the humidifier control board. The HM750 is factory-configured for 240 VAC. If the humidifier will run on a 120 VAC circuit, move the jumper to the 120 VAC terminals as seen in Fig. 20.

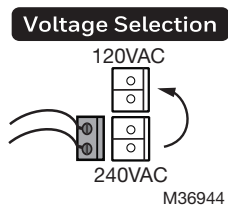


Fig. 20. Voltage selection jumper on humidifier control board.

Connecting Power

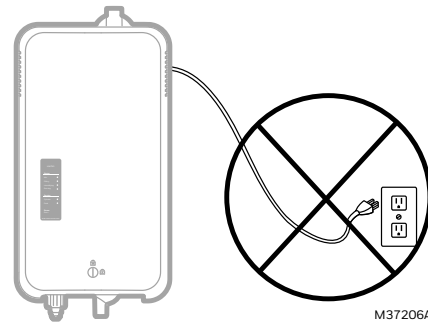
Requirements

- 12 AWG or 14 AWG wire
- **Dedicated 15 amp**, 120/240-volt circuit (a GFCI circuit is recommended)
- Disconnect switch (optional. The use of a disconnect switch between the humidifier and the circuit breaker is recommended and will be useful for future servicing.).

WARNING

To comply with UL product listing, the HM750 must be hardwired to a dedicated 15 amp circuit. All wiring must be done per governing electrical codes. Failure to do so will void the product warranty.

The use of electric cord plugs can cause overheating and result in risk of damage to property and/or personal injury.



Wiring Procedure

1. Install a disconnect switch between the humidifier and the circuit breaker as shown in Fig. 21 and Fig. 22 (optional).
2. Route the power supply wire through the strain relief located at the top of the red electrical box.
3. Connect the power wires to **MAIN SUPPLY** terminals (**L1**, **L2/N**, and **GND**) on the humidifier control board.

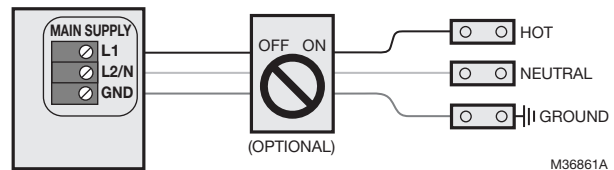


Fig. 21. 120 VAC (1 Phase) primary power connection.

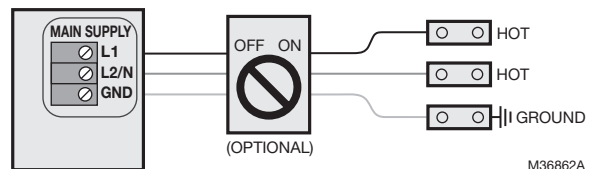


Fig. 22. 240 VAC (1 Phase) primary power connection.

NOTES:

- Resideo recommends the use of a GFCI circuit on this device to protect the homeowner from electrical shock.
- Ensure that adequate power is available to carry full humidifier amp draw as indicated on the specification label.
- Do not use neutral wire as a ground; connect a dedicated ground to ground termination.
- All wiring to be in accordance with national and local electrical codes.

Low-voltage Controls

Requirements

- 18 AWG solid wire or greater.
- Low voltage wiring must be routed through the hole that is to the left of the high voltage strain relief.
- Keep control wires as short as possible.

Wiring Procedure

The humidifier can be connected to the following three devices (Fig. 23):

1. Humidistat or thermostat
2. Air Proving device (recommended)
3. External fan (required when used with a humidistat).

Humidistat or Thermostat Connection

Connect a humidistat or thermostat to the **HUM** terminals of the humidifier. The humidifier provides a 24-VAC source to power the humidistat or thermostat if needed (5 VA max.).

NOTE: It is acceptable, but not recommended to install the HumidiPRO in the furnace area (on duct). If possible, locate the HumidiPRO in a high traffic area inside the home.

Air Proving Device

Resideo recommends the use of an Air Proving device such as Resideo Differential Pressure Switch (50027910-001) to ensure steam is distributed only when there is air circulation. Connect the air proving device to the **AP** terminals. If you do not install an air proving device, place a jumper between the **AP** terminals.

Fan Interlock

Connect an external fan (optional) to the **EXTERNAL** terminals. The fan will turn on whenever there is a call for humidity.

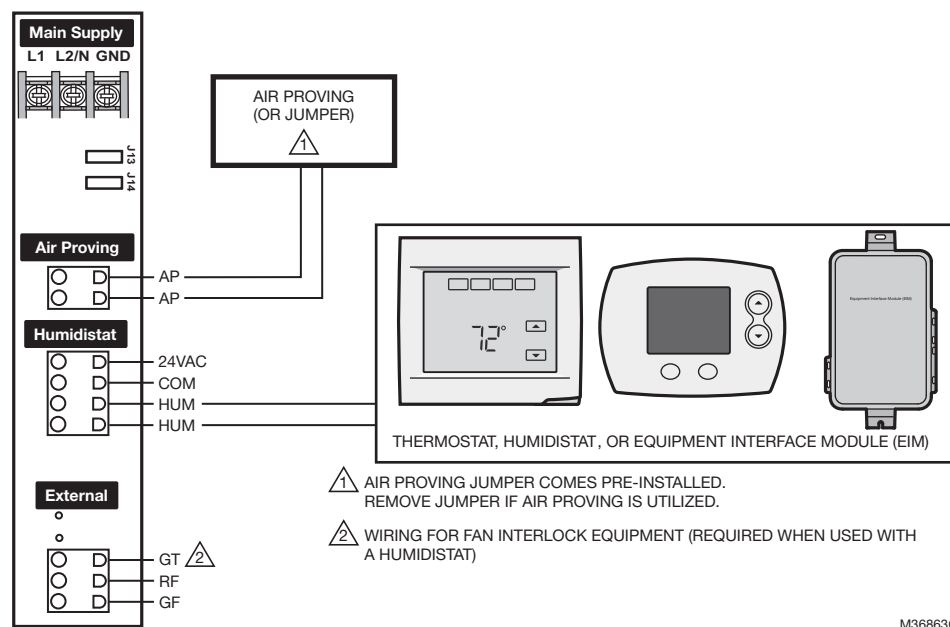


Fig. 23. Wiring the steam humidifier with a digital thermostat.

Fan Interlock Wiring with HumidiPRO

When distributing steam into a duct, there could be a call for humidity when there is no air flow. The HM750 with HumidiPRO control or some other thermostat can be used to enable a fan on a call for humidity. If using another thermostat, consult that control's manual for wiring instructions to enable the fan with a powered humidification device.

NOTE: Humidifier will stop producing steam if the air proving switch is open or the air proving terminals **AP** are not jumped.

This information is relevant to all controls, factory supplied or otherwise. For wiring use minimum 18 AWG solid wire and keep as short as possible.

Humidity Control

- Can be located either in return air duct (preferred) or in room being humidified.
- Avoid placing near discharge diffuser of humidified air.
- Mount in area representative of room humidity (drafts, doorways, sunlight, or an overhang such as a shelf can affect reading).

Optional Outdoor Temperature Sensor (included with HumidiPRO)

- Mount outside in area representing air temperature.

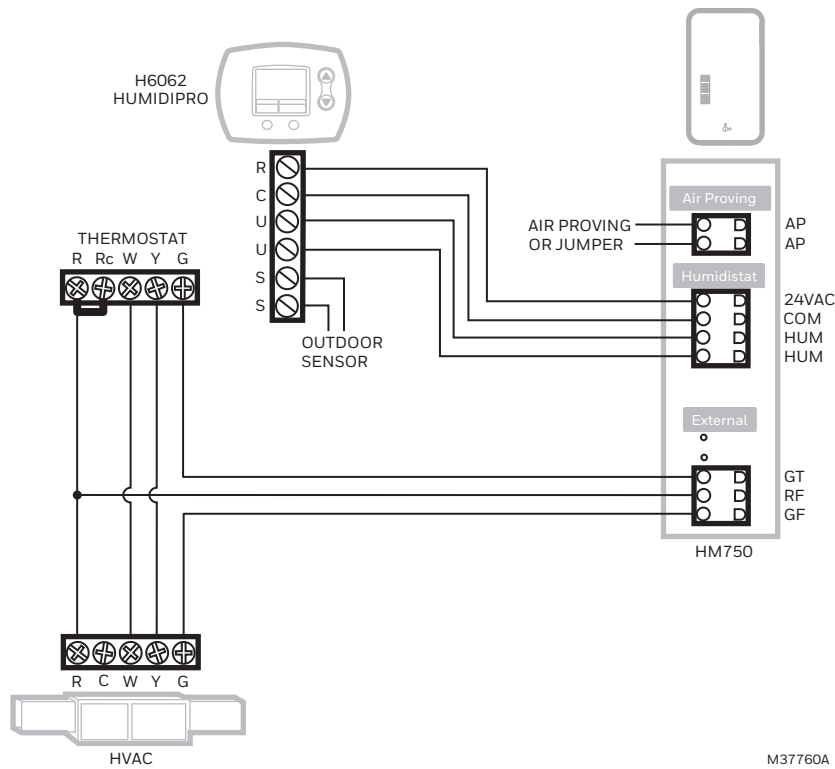


Fig. 24. Wiring the steam humidifier with a mechanical thermostat.

NOTE: If a Prestige, VisionPRO, T10 (or similar) is used to control humidity, wire the two U contacts from thermostat to HUM and HUM on the HM750. With the jumper in place between AP terminals on the HM750, only these two wires are necessary to control humidity. Be sure to configure the thermostat to force fan on with a call for humidity if the RF, GT, and GF wiring is not used.

START UP

Installation Check

Before turning on power to the HM750, inspect the installation to ensure that it was carried out correctly, as per these installation instructions.

On/Off

The HM750 is factory-configured to operate as an On/Off humidifier. It will run when 24 VAC from one **HUM** terminal is fed back into the other **HUM** terminal through an On/Off humidistat.



WARNING

Personal Injury Hazard.

Damaged or improperly installed units must not be operated. Damaged or improperly installed units may present a danger to persons and property.

Start Up Procedure

1. **Make sure the voltage selection jumper on the main circuit board is correctly configured to match the mains supply voltage (120 VAC or 240 VAC).**
2. If a disconnect switch is installed, turn it to the “ON” position.
3. Ensure the water supply valve is open.
4. Press the **Power/Drain** button on the front of the humidifier. **This will turn the device on.**
 - The humidifier will perform a self-diagnostic sequence during which the LED’s and internal components will be momentarily activated. See “LED Status Lights” on page 16 for an explanation of the LEDs and sequences.
 - If an error is detected during the self-diagnostic sequence the humidifier will not start. The yellow **Fault** LED will flash in sequence to indicate the detected fault. See Tables 6 and 7 for information on diagnosing and correcting faults.
 - After the system test the humidifier is in normal operation mode.
5. Check and adjust the control set point on the control humidistat, and if applicable, the high limit humidistat. This will enable a call for humidity.
6. If the fan enable relay on the control board is used, the green LED will continue to flash until the air proving closes. Once the air closes, the flashing green LED will become solid and the humidifier will start steam production.
7. When the external humidistat calls for humidity, and the air proving terminals are closed, the **Filling** LED on the front of the humidifier will light up, the power relay on the control board will engage, the water fill valve will activate (after a delay), and the cylinder will slowly fill with water.

NOTE: While the cylinder is filling with water there should be no water flowing down the drain. If water is flowing down the drain it can indicate excessive backpressure or a leaking drain valve. See Troubleshooting.
8. **It can take up to 20 minutes for the water to be heated up by the submerged electrodes and for steam to be produced.**

NOTE: **The humidifier is shipped with a salt tablet already inserted inside the steam cylinder.** The first start-up will provide a first boil in 5-20 minutes, depending on the water supply conductivity.

NOTE: If the humidifier is being restarted after it has been drained, and it has already gone through several boil down cycles, it may take a longer period of time for the HM750 to reach full output capacity. It may take several hours with low conductivity water. During this time, the humidifier will not perform any drains and the conductivity of the water in the cylinder will increase.

NOTE: The humidifier performs drains intermittently as part of its normal process of optimizing the conductivity of the water in the cylinder. During these drains, the **Drain** LED will not illuminate.

OPERATION

LED Status Lights

The HM750 user interface includes a series of LEDs that provide information about the humidifier status.

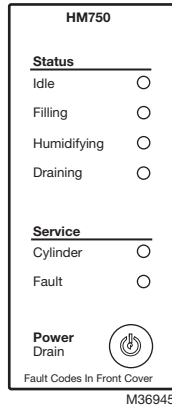


Fig. 25. Humidifier User Interface.

Status

Idle

This green LED will illuminate if there is power to the humidifier, it has been turned on, but there is no demand from the humidistat. If there is demand, but the **AP** terminals on the control board are not closed, the **Idle** LED will flash. The **Idle** LED will also illuminate during a 72-hour no-demand drain, which is an automatic drain that occurs if there is no demand for humidification after 72 hours – for hygiene purposes.

Filling

This green LED will illuminate immediately after there is a demand for steam. This LED will turn off once the humidifier determines that there is steam being generated.

Humidifying

This green LED will illuminate once the humidifier determines that there is steam being generated. See **Filling** description.

Draining

This green LED will illuminate during a 72-hour no-demand drain (see **Idle** description). This LED also illuminates when the user presses the **Power/Drain** button, since the humidifier will drain before turning off.

SERVICE

Cylinder

This yellow LED will illuminate when the humidifier has determined that the cylinder is nearing the end of its life, due to scale accumulation on the electrodes. The

LED will flash on and off, during which time the humidifier will continue to operate as normal. After 7 days of flashing, the LED will remain on solid, and the humidifier will not generate steam. The cylinder must be replaced. See “Cylinder Replacement Kit” on page 19.

Fault

This red LED will flash if the humidifier has detected an error:

- 1 flash: Excess Current fault
- 2 flashes: Fill/Drain fault
- 3 flashes: Insufficient Current fault
- 4 flashes: PCB fault
- 5 flashes: Wrong Voltage Selector fault

See the Troubleshooting section for more information.

MAIN BUTTON

Power/Drain

When primary power has been wired to the humidifier, the **Power/Drain** button must be pressed in order to enable steam generation.

When the user so decides, the humidifier may be turned off by pressing this button. Resideo does not recommend turning the humidifier off at any time during normal operation. If there is no demand for humidification, the humidifier will not draw power to the electrodes.

The **Power/Drain** button is also used to reset a fault. The button is pressed and held down for 5 seconds to reset the unit from a fault.

Selecting a Relative Humidity Setpoint

The optimum humidity setpoint depends on the reasons that a space is being humidified. The “ASHRAE Handbook HVAC Applications” recommends the specific design relative humidity for specific applications.

AHRI recommended humidity is shown in Table 3 on page 4.

Recommended Set-point – The benefit of humidity is most pronounced in the 40–60% RH range. A humidity setting of 40–45% RH is recommended for this purpose to prevent over humidifying.

Temperature Setback – In cold climates, it is often necessary to reduce the humidity level in a conditioned environment to prevent build-up of condensation on the inside of exterior walls, windows, and trim. It is highly recommended that any humidity setback functions from humidistats or other control devices be used under these conditions to prevent damage from condensation. The digital control with an outdoor temperature sensor installed will automatically setback the humidity setpoint to correspond with outdoor temperature.

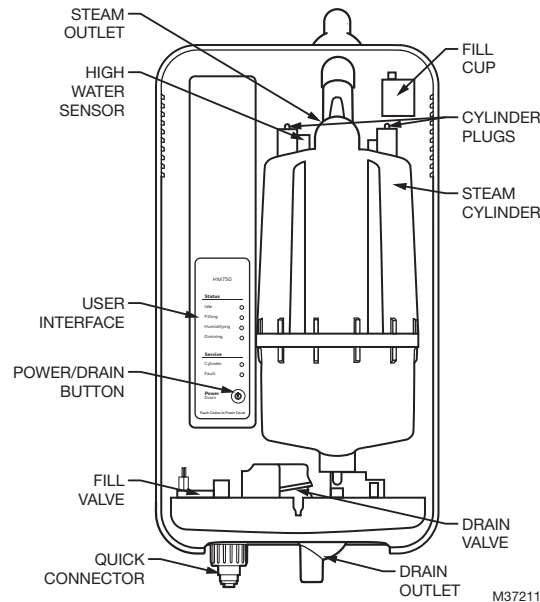



Fig. 26. Humidifier components.

Component	Function
Cylinder plugs	Power connectors to electrodes in cylinder.
Drain outlet	Connection to drain hose, used to remove water from the humidifier.
Drain valve	Drains water from humidifier.
Fill cup	Provides an air gap for backflow prevention.
Fill valve	Controls flow of water into humidifier.
High water sensor	Used to detect maximum water level in cylinder.
Power/Drain button	Used to turn the humidifier on or off. Note that before the humidifier turns off, the water in the cylinder is drained. <div style="text-align: center;">  CAUTION The unit will still be powered internally even after being shut down. </div>
Steam cylinder	Steam generating vessel that holds electrodes in water. Current between electrodes generates heat used to generate steam.
Steam outlet	Connects to steam guide with short piece of steam hose.
Supply water connection	Connection for supply water.
User interface	Used to indicate the status of the humidifier to the user.

MAINTENANCE AND SERVICING

Required Maintenance

The HM750 humidifier has been designed to require minimal maintenance. Regular maintenance consists of checking the humidifier to ensure it is in good condition, replacing the cylinder when the software advises that the cylinder is spent and cleaning out the drain valve whenever the cylinder is replaced.

CYLINDER

The cylinder LED will indicate when to replace the device cylinder (see page 16). Approximate frequency of replacement is once per year.

NOTE: It is normal to hear a rattle in a new cylinder because it is shipped with a salt tablet to boost conductivity.

FILL VALVE

The inlet to the fill valve is equipped with a strainer that prevents debris in low quality supply water from entering the system. Accumulation of debris on the strainer can lead to reduced inlet water flow or complete blockage. Thus, the fill valve strainer should be cleaned periodically, depending on the water quality, or at the end of each season.

DRAIN VALVE

Inspect annually.
Remove and clean scale/debris at the end of each season, or as needed.

Running on highly conductive water can generate high amount of scale leading to blockage of the valve plunger, potentially causing a continuous leak. This could be detected by the control system indicating a drain fault or triggering GFCI if electric current leak is detected.

In all cases, proper cleaning of the drain valve is recommended.

HOSE CONNECTIONS

Inspect annually, clean as necessary.

NOZZLE (DUCT OR REMOTE)

Inspect annually, clean as necessary.

Extended Shutdown

Should it be required to disconnect power to the humidifier for a period of extended shut-down, the following procedure shall be followed:

1. Press the **Power/Drain** button.
2. Wait until the humidifier is completely drained (usually takes less than 10 minutes). During the drain cycle the fill valve will be activated to temper the drain water.
3. Shut off the power to the humidifier with the external disconnect.
4. Close the supply water shut-off valve.

NOTE: As long as the HM750 is powered, it will automatically drain the cylinder when there has not been a call for humidity for an extended period of time (3 days). This feature will reduce or prevent the possibility of corrosion and the accumulation of algae and bacteria growing in the cylinder. The cylinder will remain empty until there is a call for humidity at which time the fill valve will open and refill the cylinder. The unit will go through its normal process for optimum operation.

STARTING AFTER EXTENDED SHUTDOWN

1. Check to see the humidifier has not been damaged and the installation has not been altered. See "Start Up Procedure" on page 15.
2. Turn on the power to the humidifier with the external disconnect and open the supply water shut-off valve.
3. Press the **Power/Drain** button.
4. Ensure there is no water flowing to drain.
5. Follow the start up procedure on page 15.

REPLACEMENT PARTS



CAUTION

Before Servicing

1. Disconnect main power source before accessing internal compartments.
2. The plumbing and electrical compartments contain high voltage components and wiring. Access should be limited to licensed HVAC professionals only.
3. During and following operation of the humidifier, the steam components in contact with the steam such as the cylinder, steam lines, steam distributors, and condensate lines can become hot and burn if touched.
4. Installations of humidity equipment installed by unqualified personnel or the use of non-Resideo parts and components will void warranty.

Cylinder Spent Fault

The yellow cylinder LED will illuminate when the humidifier has determined that the cylinder is nearing the end of its life, due to scale accumulation on the electrodes. The cylinder LED will flash on and off, during which time the humidifier will continue to operate as normal. **After 7 days of flashing, and if the cylinder is not replaced, the humidifier will shut down and the cylinder LED will be on constantly (no flashing). At this point, the cylinder must be replaced.**

The steam cylinder is disposable and must be replaced at end of cylinder life. Cylinder life is dependent on water supply conditions and humidifier use.

Always clean the drain valve before installing a new cylinder. Scale from the spent cylinder may have fallen into the drain valve and could prevent its proper operation. To properly clean the drain valve, it must be removed and disassembled.



CAUTION

Equipment Damage

Failure to replace the cylinder at the end of cylinder life will result in improper operation and may result in damage to the humidifier. Resideo is not responsible for any damages resulting from, or attributed to, the failure to replace a spent cylinder.

NOTE: Resideo recommends keeping a replacement cylinder in stock throughout the humidification season. This will prevent possible downtime when the humidifier reaches cylinder end of life.

CYLINDER REPLACEMENT KIT

Product Number: HM750ACYL

Dimensions: See Fig. 27

Included in the Box

- Replacement Cylinder

Tools Needed

- Screwdriver
- Adjustable Wrench
- Pliers

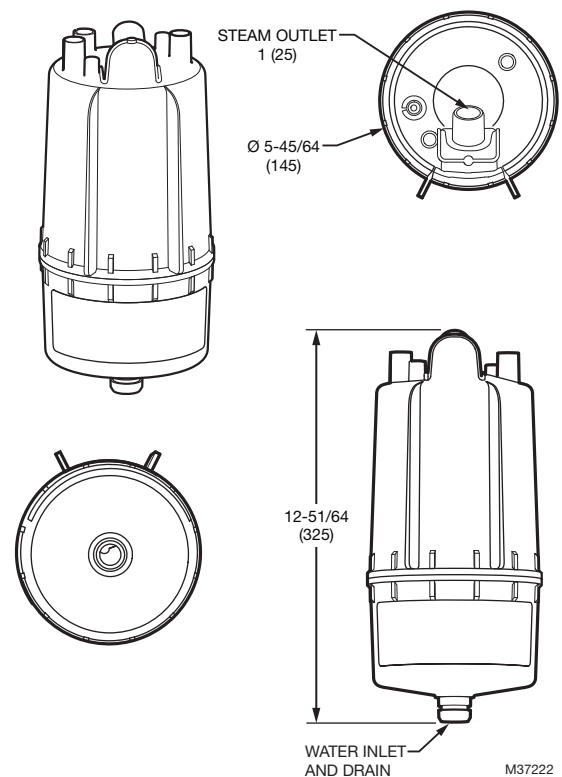


Fig. 27. Measurements in inches (mm).

Removing the Cylinder

⚠ WARNING

Disconnect main power source before accessing internal compartments.

The inside of the humidifier cabinet contains high voltage components and wiring. Access should be limited to authorized personnel.

1. Drain the existing cylinder by pressing the Power/Drain button on the front of the humidifier for 1 second. Let the humidifier drain until no more water is flowing out to drain (usually not more than 10 minutes). Following the drain cycle, the humidifier will switch off.
2. Close the supply water shut off valve.
3. Turn off power to the humidifier with the external disconnect.
4. Using a flat screwdriver, turn the lock on the humidifier's front cover 90° counterclockwise to release. Rotate the base of the cover outwards 6 inches, then lift upwards to remove.

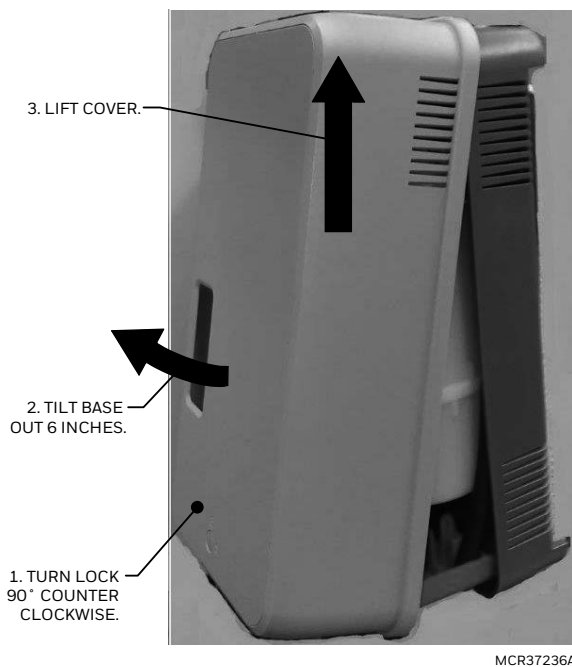


Fig. 28. Removing the cover.

5. Remove the high level water sensor connections.
6. Remove the cylinder plugs from the cylinder pins by pulling vertically.
7. Using a flat screwdriver or 5/16 in. nut driver, loosen the hose clamp closest to the cylinder.
8. Pull the cylinder away from the steam hose to disengage. When free of steam hose, lift the cylinder out.
9. Some water may remain in the cylinder, even after fully draining. Have a cloth available to absorb any water.

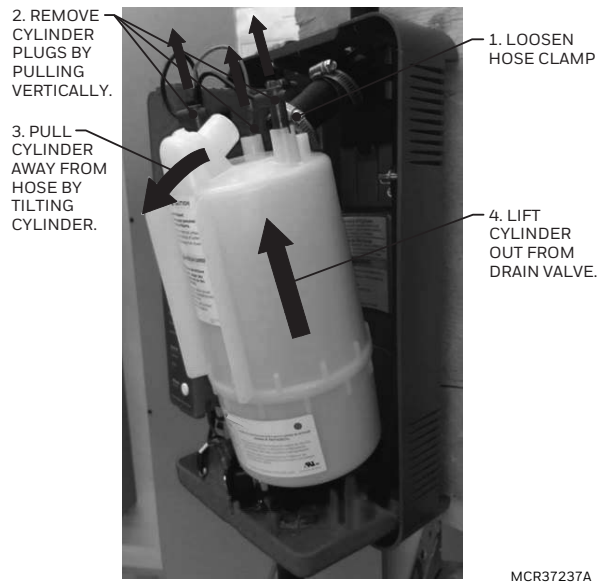


Fig. 29. Removing the cylinder.

IMPORTANT

Always clean the drain valve before installing a new cylinder. Scale from the spent cylinder may have fallen into the drain valve and could prevent proper operation. See page 21 for instructions.

10. Install the new cylinder by following the above instructions in reverse order ensuring;
 - a. Cylinder is fully seated in drain valve;
 - b. Hose clamp is tightened to 12 in/lb.;
 - c. Cylinder plugs are securely reconnected.

Drain Valve Removal (for cleaning or replacement)

Always clean the drain valve before installing a new cylinder. Scale from the spent cylinder may have fallen into the drain valve and could prevent its proper operation. To properly clean the drain valve it must be removed and disassembled.

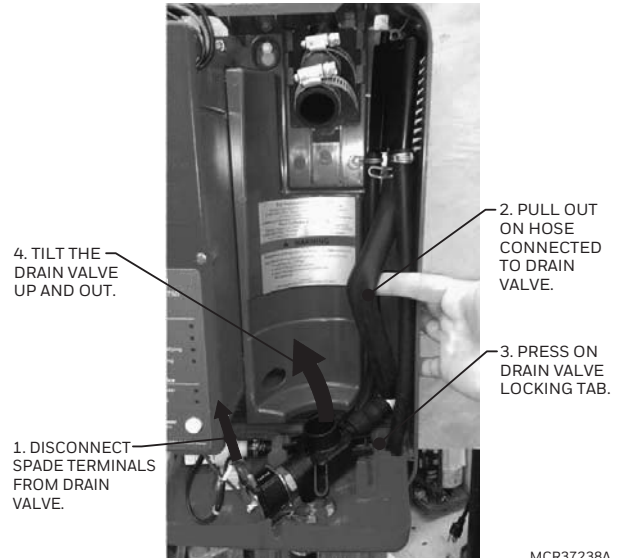
⚠️ WARNING

Disconnect main power source before accessing internal compartments.

The inside of the humidifier cabinet contains high voltage components and wiring. Access should be limited to authorized personnel.

NOTE: If the cylinder has not already been removed, follow the instructions on page 20.

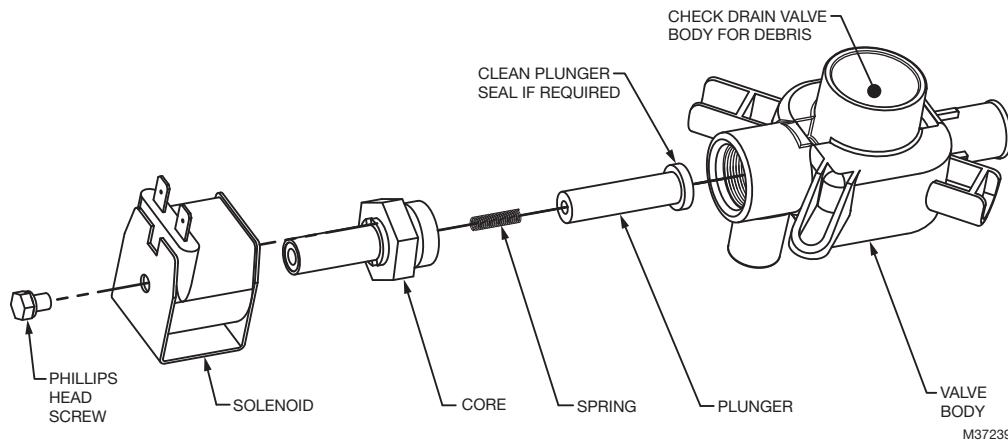
1. Disconnect spade terminals from the drain valve.
2. Hold the hose connected to the drain valve and pull forward while at the same time pressing on the drain valve locking tab to release the valve body from its mount. See Fig. 30.
3. Disconnect the hose from the drain valve by pulling on the hose. With the valve free of the humidifier it can be disassembled and cleaned.
4. On a work bench or suitable work area, first remove the solenoid from the drain valve using a Phillips screwdriver. See Fig. 31.
5. Pull the solenoid from the core.
6. Using an adjustable wrench, unscrew the core counterclockwise from the drain valve body.
7. Carefully remove the core assembly (this includes the plunger and return spring) from the plastic drain valve body. The plunger seal (rubber stop) can be cleaned using a plastic brush (tooth brush) or damp cloth. Do NOT use a metal brush or chemical cleaning agents as this could damage the part.



MCR37238A

Fig. 30. Removing the drain valve.

8. Rinse the valve body with cold water to clean any internal debris.
9. Once the valve is clean, reassemble by performing the above procedure in reverse. When fitting the core back on the drain valve body, do NOT overtighten. Thread the core back onto the drain valve body by hand. When the core is fully threaded by hand, tighten 1/4 additional turn with an adjustable wrench.
10. Reinstall the drain valve in reverse order to its removal. Be sure the hose connected to the drain valve is tucked back in position within the housing so it does not interfere with cylinder reinstallation.



M37239

Fig. 31. Drain valve components.

Inlet Valve Strainer Cleaning

Depending on the water quality, periodic cleaning of the fill valve strainer may be required. This can be performed without removing the valve from humidifier.

WARNING

Disconnect main power source before accessing internal compartments.

The inside of the humidifier cabinet contains high voltage components and wiring. Access should be limited to authorized personnel.

1. Turn off power to the humidifier with the external disconnect.
2. Close the supply water shut off valve.
3. Using an adjustable wrench, remove the quick connect fitting from the inlet valve. Have a cloth available to absorb any residual water in the supply line.
4. Use a needle-nosed pliers to grip and remove the inlet valve strainer.
5. Clean the strainer with water and a plastic brush (toothbrush), if necessary. Do not use soap or harsh chemicals as these could be carried into the cylinder when the humidifier is restarted.
6. Press fit the strainer back into the inlet valve.
7. Reconnect the quick connect fitting, tighten by hand, then tighten ¼ turn with the adjustable wrench.
8. Turn on the humidifier water supply. Check for any leaks.
9. Turn on power at the external disconnect.
10. Press the Power/Drain button for 1 second. The humidifier will perform a short self-diagnostic sequence before resuming normal operation.

CONTROL BOARD REPLACEMENT

The control board controls all aspects of the humidifier's operation. In case of damage and/or failure, the control board can be replaced. The control board will arrive with factory settings and there is no need for any special calibration other than selecting the correct mains voltage (120 VAC or 240 VAC) supplied to the humidifier. This product is shipped in anti-static packaging designed to keep the electronics on the board safe from static shock.

CAUTION

Damage to Control Board

When handling the control board, ensure that you are grounded. Static discharge can damage the board, so handle it with care.

Opening Electrical Compartment

WARNING

Disconnect main power source before accessing internal compartments.

The inside of the humidifier cabinet contains high voltage components and wiring. Access should be limited to authorized personnel.

To protect the user and the control board, the control board is mounted in a red electrical compartment housing.

1. Disconnect main power at the external disconnect.
2. Using a flat screwdriver, turn the lock on the humidifier's front cover 90° counterclockwise to release. Rotate the base of the cover outwards 6 inches, then lift upwards to remove.
3. Use a flat screwdriver to loosen the retaining screw on the red electrical compartment. Once free, pull the cover straight out.

Removing the Control Board

1. Use a Phillips screwdriver to release the control board retaining screw. Keep the screw and plastic washer (which protects the control board) for the replacement control board.
2. Pull the control board partially out of its housing. Use a Phillips screwdriver to remove the primary power wires from the terminal block (top-right of the board). Then remove the spade terminals (cylinder wires, high water sensor, ground wire) from the board. Use a pliers, if necessary. As the control wires are disconnected, label them to ensure they are reconnected correctly. Finally, disconnect the terminal block connection for the fill and drain valves.
3. With all wires removed, the control board will slide out of its protective housing.

Installing the Control Board

1. Set the control board VOLTAGE SELECTION jumper to match the voltage supplied to the humidifier. Do not assume the VOLTAGE SELECTION jumper on the replacement board is correct! Always double check the mains supply voltage.
2. Slide the new control board partially into its housing and reconnect all the wires. Refer to wiring diagram on the unit for assistance. Ensure all spade connections are press fitted completely on their electrical tabs and the main power leads are well tightened and not loose (loose connections lead to heat buildup and a potential fire hazard).
3. Once all wires and connections are made, slide the control board completely into its protective housing.
4. Ensuring the plastic washer is placed between the screw head and the control board, secure the control board with the retaining screw.
5. Replace the electrical compartment cover.
6. Replace the humidifier front cover, and turn the locking screw 90° clockwise to secure it.
7. Turn on the mains power to the unit at the disconnect switch.
8. Press the Power/Drain button for 1 second. The humidifier will perform a short self-diagnostic sequence before resuming normal operation.

Inlet Valve Replacement



WARNING

Disconnect main power source before accessing internal compartments.

The inside of the humidifier cabinet contains high voltage components and wiring. Access should be limited to authorized personnel.

1. Drain the cylinder by pressing the Power/Drain button on the front of the humidifier for 1 second. Let the humidifier drain until no more water is flowing out to drain (usually not more than 10 minutes). Following the drain cycle, the humidifier will switch off.
2. Close the supply water shut off valve.
3. Turn off power to the humidifier with the external disconnect.
4. Using a flat screwdriver, turn the lock on the humidifier's front cover 90° counterclockwise to release. Rotate the base of the cover outwards 6 inches, then lift upwards to remove.
5. Disconnect the wiring to the solenoid. See Fig. 32
6. Remove quick connect fitting from inlet valve.
7. Grip the inlet valve and pull forward as far as possible.
8. Inside the humidifier, bend the hose attached to the inlet valve up as shown in Fig. 33
9. Using pliers, move the clamp up the hose away from the valve to release its hold. Slide the hose off the valve. Some remaining water in the hose will spill out. Have a cloth on hand to absorb the water.
10. Follow the above steps in reverse to install the new inlet valve.
11. Replace the humidifier front cover, and turn the locking screw 90° clockwise to secure it.
12. Turn on the mains power to the unit at the disconnect switch.
13. Press the Power/Drain button for 1 second. The humidifier will perform a short self-diagnostic sequence before resuming normal operation
14. Check connections for leaks.

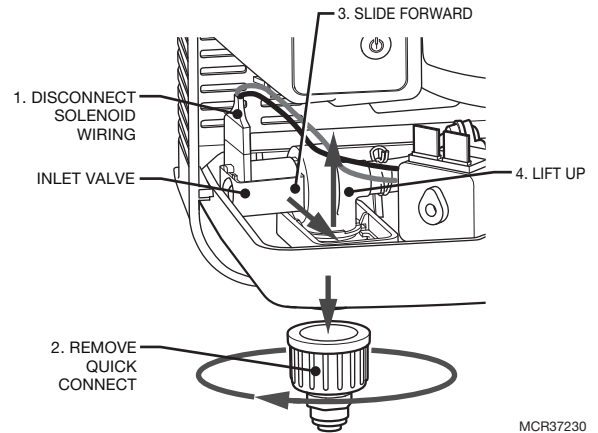


Fig. 32. Inlet valve replacement.

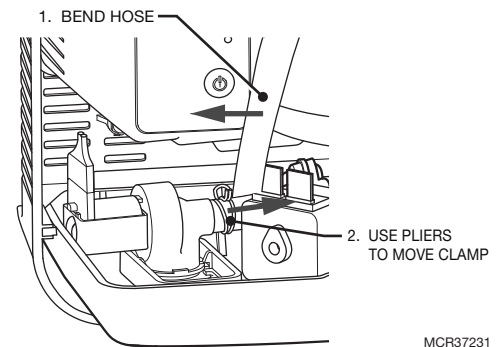


Fig. 33.

TROUBLESHOOTING

CAUTION

High Voltage Hazard.

Be aware, when troubleshooting, that the humidifier is powered by high voltage and familiarity with both good practices and wiring of the humidifier is recommended. Any troubleshooting that requires opening the cabinet should be done by qualified personnel.

CAUTION

Burn and Scalding Hazard.

Hot water or steam with a temperature above 120 °F (49 °C) can cause burns from scalding.

NOTE: Most humidifier faults are not caused by faulty equipment but rather by improper installation. A complete fault diagnosis always involves a

thorough examination of the entire system. Often, the steam hose connection has not been properly executed, or the fault lies with the humidity control system.

TROUBLESHOOTING REQUIREMENTS

- Ensure the installation meets the installation requirements outlined in these instructions.
- Familiarize yourself with the operation of the humidifier by reading these instructions in their entirety.
- The wiring diagram for your specific humidifier is installed on the inside of the humidifier door. A generic copy of the HM750 wiring diagram is also included at the end of this chapter for reference purposes.
- When contacting your local representative or Resideo for troubleshooting assistance, please ensure the serial number and manufacturing date on the label at the left side of the housing has been obtained for reference purposes (Fig. 1).

Table 6. General troubleshooting.

Symptom	Cause	Corrective Action(s)
Humidifier appears to have no power, even when the Power/Drain button is pressed on.	Fuse blown	Check on-board fuse located beside transformer.
	Incorrect voltage	Check voltage against specification label and correct.
	Step down transformer not outputting 24 VAC	Replace the circuit board.
	Incorrect primary power jumper	Check that the on-board voltage selection jumper is installed correctly. If 240 VAC power was supplied to a unit where the voltage selection jumper was set to 120 VAC, the circuit board will need to be replaced.
Humidifier will not humidify or not reaching humidification (RH%) setpoint	Humidistat terminals not closed.	Check voltage.
	Low conductivity water	If operated on low conductivity water, it may take several hours for the HM750 to reach full capacity. This is normal. During this time, the humidifier will not perform any drains and the conductivity of the water in the cylinder will increase. The unit will not operate on reverse osmosis or deionized water. Ensure that tap water is used. Note: New humidifier cylinders are supplied with a salt tablet inside.
	No airflow in duct	Check that the AP terminals on the control board are wired correctly, and closing the 24 VAC chain.
Humidifier has faulted and red Fault LED is flashing.	Software has detected an abnormal condition	Review fault-code label on the inside cover of the HM750 or see Table 7 on page 25.
Distributor spitting out water into duct	DUCT INSTALLATION: fill valve failed open	Check that the fill valve has not failed in the open state. This would make water flow inside the cylinder above the level of the high water sensor, to a maximum of the fill cup overflow level. At this point, water may carry over into the distributor nozzle and “spit” into the duct.
	REMOTE INSTALLATION: condensate generation	Ensure the nozzle is oriented correctly and the steam line is sloped correctly, as per the guidelines in these installation instructions.

HM750 Faults

The self-diagnostic system built into the HM750 is continually monitoring the operation of the humidifier. When an abnormal condition occurs that cannot be self-corrected by the software, the HM750 will turn off power to the cylinder, drain the cylinder, and announce the fault using the yellow **Service** LEDs.

LED Flash Sequence

To differentiate between different fault conditions, the red **Fault** LED is flashed in different sequences. The table below lists the fault sequences that can be displayed, their meaning, possible cause(s), and suggested corrective actions.

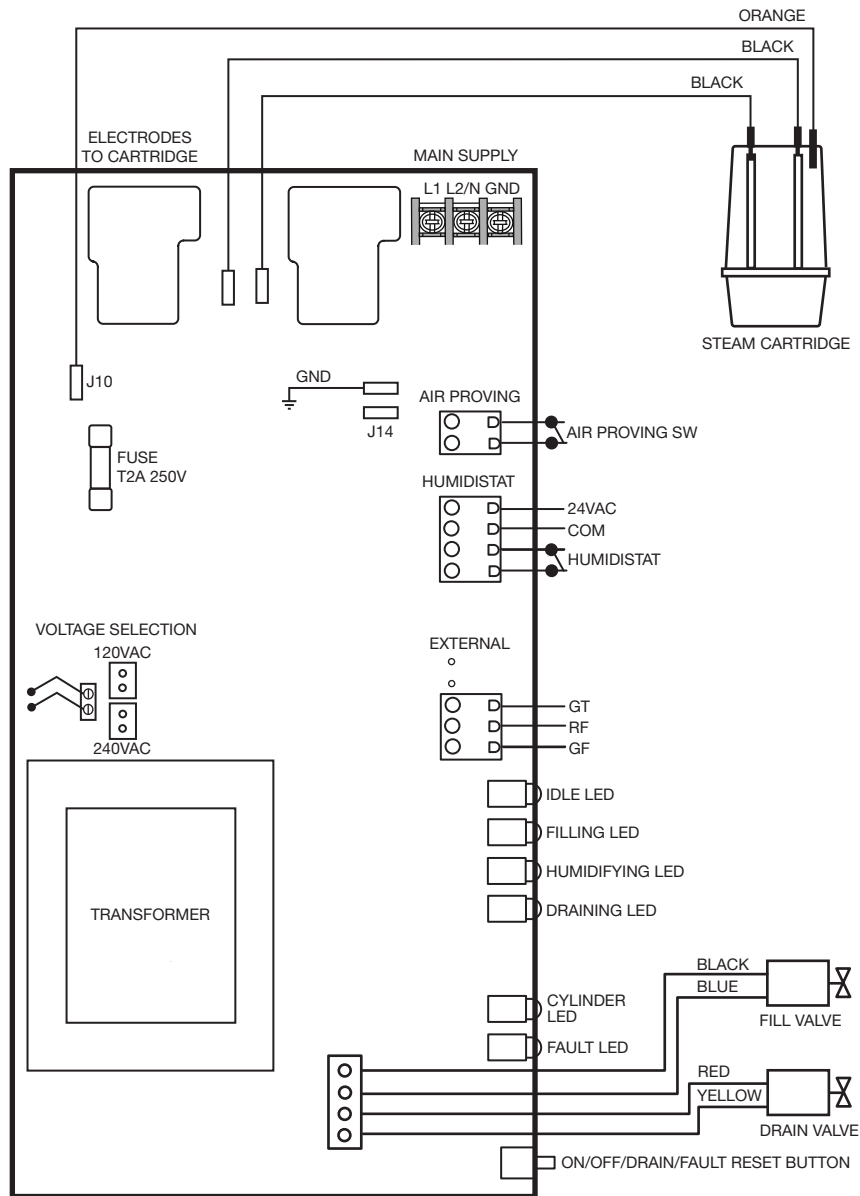
Clearing a Fault

- Check the flash sequence against the list of fault messages and take any necessary actions to correct the cause(s) as outlined in the below table.
- Press and hold the **Power/Drain** button for 5 seconds. The humidifier will begin to drain and, when drained, will power off. Press the **Power/Drain** button again at this time to turn the humidifier back on again. The humidifier will perform a normal start-up as if it were the first power up.

Table 7. Troubleshooting HM750 Faults.

Service LED	Symptom	Cause	Corrective Action(s)
Cylinder flashing	Cylinder reaching end of life.	Normal operation.	None.
Cylinder solid	Cylinder end of life.	Normal operation.	Replace cylinder.
Fault 1 flash	Excess Current Current has exceeded 130% of max	Drain blocked, water over concentration	Clean the drain line.
		Drain solenoid not energized, water over concentrated	Check and correct wiring to drain valve.
		Filling too fast, wrong fill valve	Fill valve may be defective – replace if necessary.
		Water supply too conductive	Ensure water supply conductivity is within specification 125-1200 $\mu\text{S}/\text{cm}$ (microsiemens/cm).
		Cylinder spent, but not detected by software	Examine the cylinder for excessive scale.
		Back pressure	Eliminate back pressure by ensuring steam line has no low points (where condensate might accumulate), or steam line kinks.
Fault 2 flashes	Fill/Drain Error	Drain valve leaking or struck open	Clean drain valve or replace.
		Water shut off valve closed	Open shut off valve.
		High system back pressure	Eliminate back pressure by ensuring steam line has no low points (where condensate might accumulate), or steam line kinks.
		High water sensor not connected	Check the cylinder plug with orange cable is connected from the short cylinder electrode with a plastic shroud to the control board.
		Low water conductivity	<ol style="list-style-type: none"> Check if potable water supplied to the unit, not treated water (RO or DI). Check conductivity of water. If less than 150 μS, add 1/4 teaspoon of salt to cylinder and restart unit.

Service LED	Symptom	Cause	Corrective Action(s)
Fault 3 flashes	Insufficient Current Fill valve activated for long time, but high water level not reached. Fill should be faster than 1 in. per minute.	Cylinder plugs installed incorrectly	Check that cylinder plugs are completely seated on cylinder.
		Fill valve inlet filter clogged	Check fill valve inlet filter and clean if required.
Fault 4 flashes	PCB Error	The control board detects current draw when the humidifier is in standby mode.	Replace circuit board.
Fault 5 flashes	Wrong Voltage Selection	VOLTAGE SELECTION jumper on control board is incorrectly set.	If 240VAC is supplied to the humidifier, but the VOLTAGE SELECTION jumper is set to 120VAC, the control board will fail and need to be replaced. If 120VAC supplied to the humidifier, but the VOLTAGE SELECTION jumper is set to 240VAC, the 5 flash fault will occur. Correct the VOLTAGE SELECTION jumper and re-start humidifier.



FAULT CODES

NUMBER OF FLASHES INDICATES FAULTS
TO CLEAR FAULTS, PRESS AND HOLD POWER BUTTON FOR FIVE SECONDS

1. EXCESSIVE CURRENT
2. FILL/DRAIN ERROR
3. INSUFFICIENT CURRENT
4. PCB ERROR
5. WRONG VOLTAGE SELECTION

FLASHING IDLE LED - AIR PROVING ERROR (MAKE SURE AP IS MET OR CLOSED)

M37217A

Fig. 34. Wiring diagram.

5-YEAR LIMITED WARRANTY

Resideo warrants this product, excluding maintenance items such as the cylinder, to be free from defects in workmanship or materials, under normal use and service, for a period of five (5) years from the date of first purchase by the original purchaser. If at any time during the warranty period the product is determined to be defective due to workmanship or materials, Resideo shall repair or replace it (at Resideo's option).

If the product is defective,

- (i) return it, with a bill of sale or other dated proof of purchase, to the place from which you purchased it; or
- (ii) call Resideo Customer Care at 1-800-468-1502. Customer Care will make the determination whether the product should be returned to the following address: Resideo Return Goods, Dock 4 MN10-3860, 1985 Douglas Dr. N., Golden Valley, MN 55422, or whether a replacement product can be sent to you.

This warranty does not cover removal or reinstallation costs. This warranty shall not apply if it is shown by Resideo that the defect was caused by damage which occurred while the product was in the possession of a consumer.

Resideo's sole responsibility shall be to repair or replace the product within the terms stated above. RESIDEO SHALL NOT BE LIABLE FOR ANY LOSS OR DAMAGE OF ANY KIND, INCLUDING ANY INCIDENTAL OR CONSEQUENTIAL DAMAGES RESULTING, DIRECTLY OR INDIRECTLY, FROM ANY BREACH OF ANY WARRANTY, EXPRESS OR IMPLIED, OR ANY OTHER FAILURE OF THIS PRODUCT. Some states do not allow the exclusion or limitation of incidental or consequential damages, so this limitation may not apply to you.

THIS WARRANTY IS THE ONLY EXPRESS WARRANTY RESIDEO MAKES ON THIS PRODUCT. THE DURATION OF ANY IMPLIED WARRANTIES, INCLUDING THE WARRANTIES OF MERCHANTABILITY AND FITNESS FOR A PARTICULAR PURPOSE, IS HEREBY LIMITED TO THE FIVE YEAR DURATION OF THIS WARRANTY. Some states do not allow limitations on how long an implied warranty lasts, so the above limitation may not apply to you.

This warranty gives you specific legal rights, and you may have other rights which vary from state to state. If you have any questions concerning this warranty, please write Resideo Customer Care, 1985 Douglas Dr, Golden Valley, MN 55422 or call 1-800-633-3991.

IMPORTANT

To maintain warranty, only Resideo approved parts and cylinders may be used in the operation of the product.

The product should not be disposed of with other household waste. Check for the nearest authorized collection centers or authorized recyclers. The correct disposal of end-of-life equipment will help prevent potential negative consequences for the environment and human health.



www.resideo.com

Resideo Technologies, Inc.
1985 Douglas Drive North, Golden Valley, MN 55422
1-800-468-1502
33-00289EF-05 M.S. Rev. 04-21 | Printed in United States



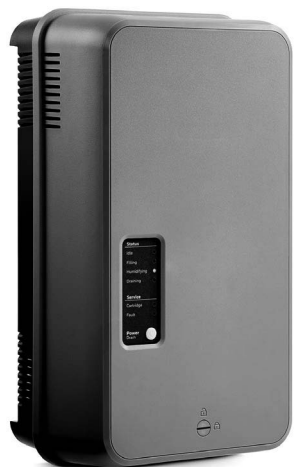
IMPORTANT

Lisez et conservez ces instructions. Ce guide doit être conservé par l'installateur.

HM750A1000

HUMIDIFICATEUR À VAPEUR À ÉLECTRODES ÉVOLUÉ

INSTRUCTIONS D'INSTALLATION



Outils nécessaires

- Tournevis à tête plate
- Tournevis cruciforme
- Clé
- Tuyau en cuivre (facultatif)
- Niveau à bulle
- Scie à trous

Configuration de l'humidificateur

Le HM750 est configuré en usine pour fonctionner dans la plupart des conditions sans qu'il soit nécessaire de modifier sa configuration.

REMARQUE : L'humidificateur étant configuré en usine pour offrir des performances optimales, Resideo déconseille vivement d'apporter des modifications non décrites dans ces instructions à la configuration.

INTRODUCTION

Humidificateur à vapeur résidentiel le plus évolué actuellement sur le marché, le HM750 assure l'humidification d'une maison de manière stable et fiable. Il est conçu pour être directement raccordé à un conduit d'alimentation en air et fournir de l'humidité sur demande. L'humidificateur peut être monté directement sur le conduit d'air, ou à distance de celui-ci, grâce à un tuyau de vapeur reliant l'humidificateur à une buse de distribution installée au niveau du conduit d'air.

Contenu de l'emballage

- Humidificateur à vapeur HM750
- HumidiPRO H6062
- Buse de distribution de vapeur
- Tuyau de vidange en caoutchouc
- Conduite d'eau LDPE
- Déflecteur (monté sur conduit uniquement)
- Joint en mousse (monté sur conduit uniquement)
- Tuyau de vapeur (montage mural uniquement)
- Raccords, quincaillerie et gabarit de montage
- Instructions d'installation, 33-00289EF (ce document)
- Fonctionnement et rappel d'entretien annuels

Avant l'installation

1. Vérifiez que la tension et la phase disponibles correspondent à celles de l'humidificateur, indiquées sur l'étiquette des spécifications.
2. Vérifiez que le disjoncteur externe dédié est de taille suffisante pour gérer l'ampérage nominal indiqué sur l'étiquette des spécifications. Reportez-vous aux codes locaux.
3. Assurez-vous que des dégagements suffisants seront disponibles, comme décrit à la section Emplacement à la page 6.
4. Si l'humidificateur est destiné à être fixé au mur, vérifiez que les lignes de vapeur peuvent être ache-minées jusqu'au conduit comme décrit à la section Instructions pour les lignes de vapeur à la page 8.

Tableau 1. Spécifications.

Volts	Sortie de vapeur en gal./jour (Litres/jour)	kW	A	Phase	Fusible ext. max. (A)	Cylindre standard	Poids net/brut en lb (kg)	Dimensions L x H x P
110/120	11 (41,6)	1,5	12	1	15	HM750ACYL	10,5 / 18,5 (4,8 / 8,4)	10 x 18 x 7 in. 254 x 457 x 178 mm
220/240	22 (83,3)	3,0						



Fig. 1. Emplacement de l'étiquette des spécifications.

! MISE EN GARDE

Entretien

Débranchez l'alimentation principale avant tout entretien.

- Les compartiments électriques et de la plomberie contiennent des composants et des câblages à haute tension. L'accès doit être limité au seul personnel autorisé.
- Pendant le fonctionnement de l'humidificateur et après, la vapeur et les composants en contact avec celle-ci, tels que les lignes de vapeur, les buses de distribution de vapeur et les lignes de condensation, peuvent devenir chauds et provoquer des brûlures s'ils sont touchés.
- Resideo décline toute responsabilité en cas d'installation d'équipements d'humidification par du personnel non qualifié ou d'utilisation de composants/équipements non autorisés ou approuvés par Resideo.
- **Pour continuer à bénéficier de la garantie, utilisez uniquement des pièces et des cylindres approuvés par Resideo avec ce produit.**

! MISE EN GARDE

Électricité

Tous les travaux électriques doivent être effectués conformément aux codes électriques nationaux et locaux.

Le raccordement électrique doit être effectué par un électricien certifié.

Il est recommandé d'alimenter l'unité au moyen d'un disjoncteurs-détecteurs de fuites à la terre (DDFT).

! MISE EN GARDE

Plomberie

Les travaux de plomberie doivent être effectués par un plombier certifié.

L'eau vidangée par l'humidificateur peut être très chaude. Utilisez le drain de plancher pour vidanger l'eau. Ne la vidangez pas dans un évier public.

Tous les travaux de plomberie doivent être effectués conformément aux codes de plomberie nationaux et locaux.

! MISE EN GARDE

Installation

N'installez pas l'appareil sur des surfaces de plus de 80 °C (176 °F).

N'installez pas l'appareil dans un endroit présentant un risque de gel.

N'installez pas l'appareil sur une surface soumise à des vibrations.

N'installez pas l'appareil sur le sol.

Le HM750 génère de la vapeur à la pression atmosphérique. Ne reliez aucun appareil

susceptible de bloquer l'évacuation de la vapeur à la sortie de vapeur.

Les conduites de vapeur doivent être installées de façon à ce qu'aucune obstruction ne puisse

produire de contre-pression dans l'humidificateur.

N'installez pas l'appareil à l'extérieur sans protection

contre la pluie, la neige, la condensation ou un

équivalent.

! MISE EN GARDE

Qualité de l'eau

Le HM750 nécessite un raccordement d'eau froide depuis l'alimentation en eau principale de votre maison à une pression comprise entre

15-100 PSIG. Un robinet d'étranglement peut être

nécessaire et un robinet d'arrêt d'eau est

recommandé par mesure de sécurité. **N'utilisez pas**

d'eau traitée par osmose inverse ni d'eau

déionisée. La conductivité de l'eau est importante

pour garantir un fonctionnement efficace de

l'humidificateur à électrodes. Resideo recommande

une conductivité de 125-1 200 µS/cm

(microsiemens/cm).

Pièces et accessoires

Les pièces et accessoires suivants sont disponibles et peuvent être inclus avec votre humidificateur HM750. Le cylindre est le seul élément qui doit être remplacé régulièrement pour maintenir le bon fonctionnement de l'humidificateur.

Tableau 2. Pièces et accessoires.

Pièce/accessoire	Numéro de pièce
Cylindre de remplacement	HM750ACYL
Humidistat HumidiPRO	H6062A1000
Kit de soupapes de vidange et d'alimentation	HM750AVKIT
Kit de buses pour conduit et pour le montage à distance	HM750ANKIT
Carte de circuit électronique de remplacement	HM750APCB
Kit de tuyaux de vapeur de 4,6 m	HM750AHOSEKIT
Commutateur à pression différentielle pour le contrôle de présence d'air	50027910-001

Fonctionnement de l'humidificateur

Le HM750 est un générateur de vapeur atmosphérique qui utilise la chaleur produite par le courant électrique circulant entre des électrodes submergées pour générer de la vapeur. Le HM750 est conçu pour assurer l'humidification de l'air sur demande au moyen d'une buse de distribution de vapeur.

GÉNÉRATION DE VAPEUR

- Une fois que les bornes de l'humidistat et les bornes de l'interrupteur de contrôle de présence d'air sont fermées (AP sur le panneau de commande), l'humidificateur ferme le relais d'alimentation et mesure le courant électrique.
- Si le courant est inférieur à l'ampérage de pleine charge, la soupape d'alimentation en eau s'active après un court délai et l'eau coule dans le godet de remplissage. L'eau présente dans le godet s'écoule dans le bas du cylindre par un tuyau relié au logement de la soupape de vidange.

REMARQUE : Le cylindre est alimenté par gravitation depuis le godet de remplissage. Si la contre-pression de la ligne de vapeur est trop élevée, l'eau sera refoulée dans le godet de remplissage et descendra jusqu'à la vidange via la ligne de débordement.

- Dès que l'eau présente dans le cylindre entre en contact avec les électrodes alimentées, le courant circule à travers l'eau. La résistance de l'eau au courant électrique génère de la chaleur, laquelle produit de la vapeur. Le courant électrique (et la sortie de vapeur) augmente à mesure que le niveau de l'eau augmente dans la mesure où davantage d'électrodes sont submergées. L'unité continue de se remplir jusqu'à ce que le courant atteigne l'ampérage de pleine charge ou que le capteur de niveau d'eau élevé détecte un niveau élevé.
- Le niveau d'eau et l'appel de courant dans le cylindre diminuent sous l'effet de l'évaporation (par la génération de vapeur).
- Si le capteur de niveau d'eau élevé a été activé avant que le courant de pleine charge ne soit atteint, l'eau sera réduite par ébullition jusqu'à ce que le capteur soit désactivé. Si le courant de pleine charge a été atteint, l'eau sera réduite par ébullition jusqu'à un ampérage prédéfini.
- Le HM750 répète le cycle de remplissage et de réduction par ébullition pour fournir une sortie constante de vapeur.

- Au fil du temps, les minéraux présents dans l'eau adhèrent aux électrodes du cylindre. L'humidificateur effectuera automatiquement le remplissage jusqu'à un niveau d'eau plus élevé pour maintenir sa pleine capacité pendant la durée de vie du cylindre. En raison de la formation de calcaire, l'humidificateur finira par ne plus atteindre sa pleine capacité. Le logiciel du HM750 surveille cet état et, lorsqu'il le détecte, cesse de fonctionner. Le voyant DEL Cylindre s'allume alors.

VIDANGES

- Lors de la production de vapeur, des minéraux sont laissés derrière, ce qui augmente la conductivité de l'eau. Le cycle auto-adaptatif du HM750 surveille la conductivité de l'eau et effectue des vidanges pour maintenir une conductivité optimale et, ce faisant, des performances maximales.
- Le cycle auto-adaptatif garantit que la durée de vie du cylindre est maximisée. Pour ce faire, il maintient un contrôle extrêmement strict et une utilisation optimale de l'eau pendant toute la durée de vie du cylindre.

DISTRIBUTION DE VAPEUR

La vapeur générée par l'humidificateur peut être introduite dans l'air de deux façons différentes. L'humidificateur peut être monté directement sur le conduit pour permettre à la buse de distribution de vapeur d'entrer dans le conduit d'alimentation en air. Il est également possible de placer l'humidificateur à distance du conduit d'alimentation en air. Il peut être connecté à la buse de distribution au niveau du conduit à l'aide d'un tuyau de vapeur.

LIGNE DE VAPEUR

La ligne de vapeur entre la sortie de vapeur du cylindre et la buse de distribution a un double rôle : Elle sert de conduit pour le transfert de la vapeur atmosphérique depuis l'humidificateur vers la buse de distribution et assure l'élimination de la condensation. Reportez-vous à la section « Instructions pour les lignes de vapeur » à la page 8 pour obtenir des informations sur la sélection des lignes de vapeur.

Chaque fois que de la vapeur est distribuée, de la condensation se forme dans le système de distribution. L'isolation des lignes de vapeur est essentielle pour réduire la quantité de condensation formée. Les lignes de vapeur doivent par ailleurs être mises en pente de façon à ce que la condensation ne s'accumule pas dans les lignes et n'entrave pas le flux de vapeur. Comme indiqué dans la section Plomberie, les lignes de vapeur doivent maintenir une pente vers l'humidificateur d'au moins 10 cm (4 po) d'ÉLEVATION pour chaque LONGUEUR DE LIGNE de 30 cm (12 po).

DIMENSIONNEMENT

IMPORTANT

Valider les dimensions du volume à couvrir avant d'installer le HM750. N'utilisez pas la mesure de la surface lorsque vous dimensionnez l'installation d'un humidificateur. Utilisez plutôt des pieds cubes, car l'humidité remplit un volume d'espace (largeur x longueur x hauteur). Tenez également compte de l'« étanchéité » d'une maison.

Le HM750 produit 41,6 litres (11 gallons) par jour (L/j) lorsqu'il est branché sur 120 V et 83,3 L/j (22 gallons) lorsqu'il est branché sur 240 V. Reportez-vous à la Fig. 20 pour obtenir des détails sur la configuration du HM750 pour une utilisation avec une tension différente.

Le Table 3 contient les recommandations de l'AHRI concernant les exigences en matière d'humidité et le Table 4 montre de quelle manière les humidificateurs et la configuration de sortie permettent de satisfaire ces exigences d'humidification.

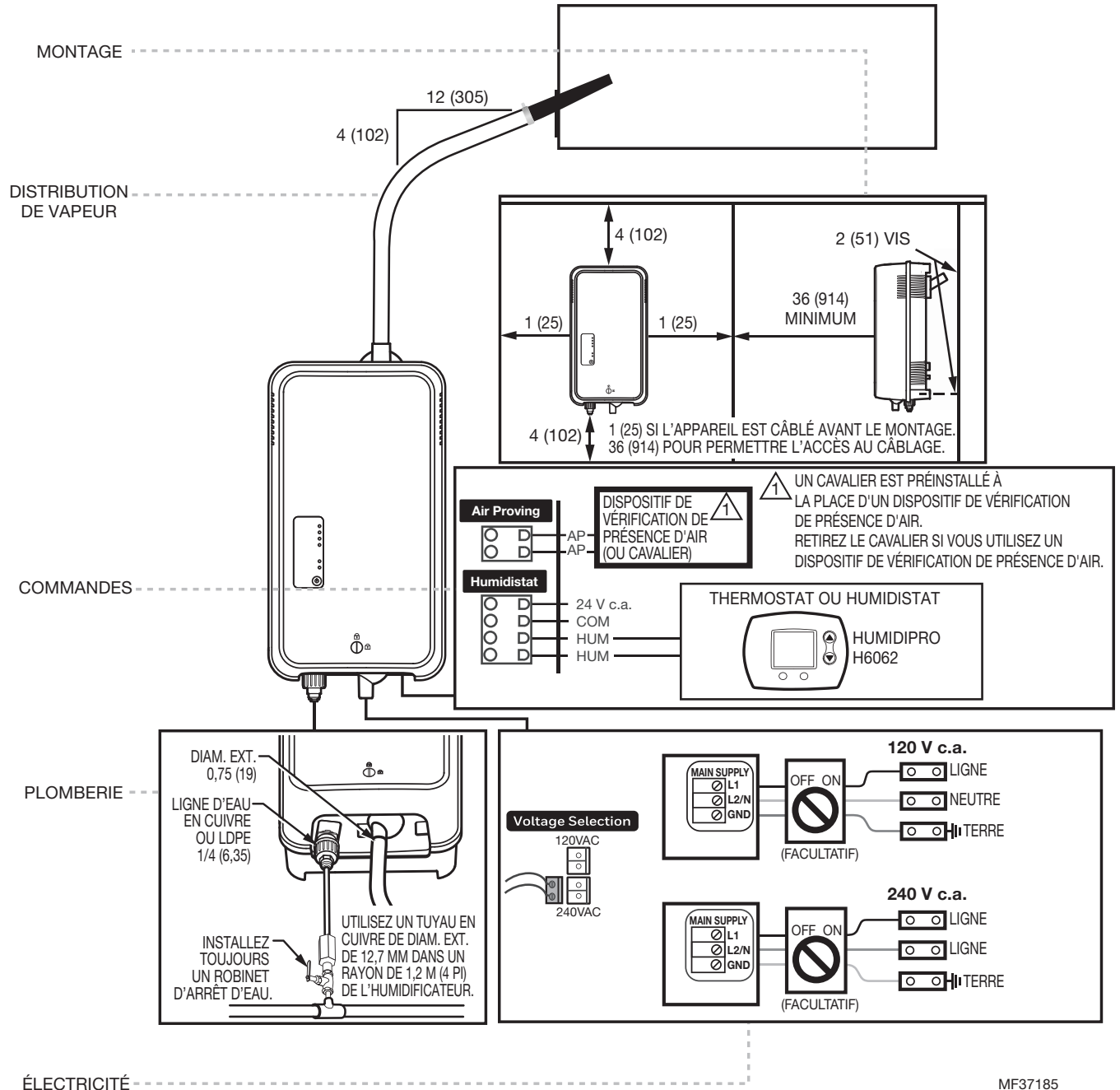
Tableau 3. Humidité recommandée par l'AHRI (en gallons/jour).

Type de construction	8 000 ft ³	12 000 ft ³	16 000 ft ³	20 000 ft ³	24 000 ft ³	32 000 ft ³	40 000 ft ³
Étanche	3,3	5,0	6,7	8,3	10,0	13,4	16,7
Moyenne	6,7	10,0	13,4	16,7	20,0	26,7	33,4
Non étanche	10,0	15,0	20,0	25,0	30,1	40,1	50,1

Tableau 4. Humidificateur(s) à vapeur nécessaire(s) pour l'application.^a

Type de construction	8 000 ft ³	12 000 ft ³	16 000 ft ³	20 000 ft ³	24 000 ft ³	32 000 ft ³	40 000 ft ³
Étanche	11 GPD	11 GPD	11 GPD	11 GPD	11 GPD	11 GPD (x2) ou 22 GPD (x1)	11 GPD (x2) ou 22 GPD (x1)
Moyenne	11 GPD	11 GPD	22 GPD	22 GPD	22 GPD	11 GPD (x4) ou 22 GPD (x2)	11 GPD (x4) ou 22 GPD (x2)
Non étanche	11 GPD	22 GPD	22 GPD	11 GPD (x4) ou 22 GPD (x2)	11 GPD (x4) ou 22 GPD (x2)	11 GPD (x4) ou 22 GPD (x2)	11 GPD (x5) ou 22 GPD (x3)

^a Dans le tableau ci-dessus, 11 GPD correspondent à un humidificateur à vapeur configuré pour fonctionner sur 120 V et 22 GPD à un humidificateur à vapeur conçu pour fonctionner sur 240 V.



MF37185

Fig. 2. Installation type du HM750.
Mesures en po (mm).

EMPLACEMENT

Installez l'appareil sur un mur ou une surface verticale adéquat. Ne laissez pas l'unité reposer sur le sol. Laissez les dégagements requis pour les raccordements électriques et de plomberie. Les dimensions des dégagements indiquées ici sont fournies à titre de référence uniquement et constituent le minimum requis pour l'entretien de l'humidificateur.

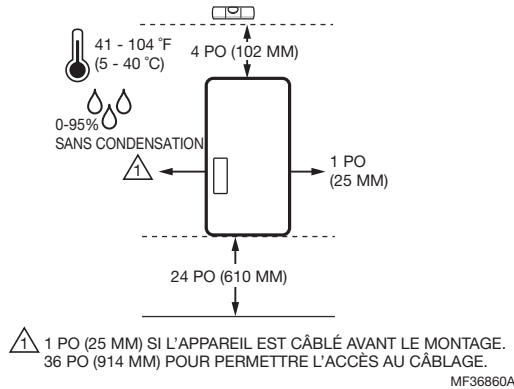


Fig. 3. Dégagements requis pour le HM750

Consultez les codes locaux et nationaux avant de choisir l'emplacement final et de procéder à l'installation. Resideo décline toute responsabilité en cas d'installation en infraction avec les codes.

- Installez l'appareil uniquement dans des endroits présentant une température ambiante de 5 à 40 °C (41 à 104 °F) et une humidité relative de 5 à 95 %, sans condensation.
- L'humidificateur doit être installé sous la Buse de distribution de vapeur. Veillez à assurer un acheminement correct des lignes de vapeur.
- N'éloignez PAS l'humidificateur plus qu'il n'est absolument nécessaire de l'emplacement de la buse de distribution de vapeur dans la mesure où le rendement net diminuera en raison de la perte de chaleur à travers la ligne de vapeur.
- Chaque fois que possible, installez l'humidificateur HM750 à une hauteur pratique pour l'entretien.

REMARQUE : N'installez pas l'appareil sur des surfaces de plus de 80 °C (176 °F), dans des endroits présentant un risque de gel, sur des surfaces soumises à des vibrations ou sur le sol.

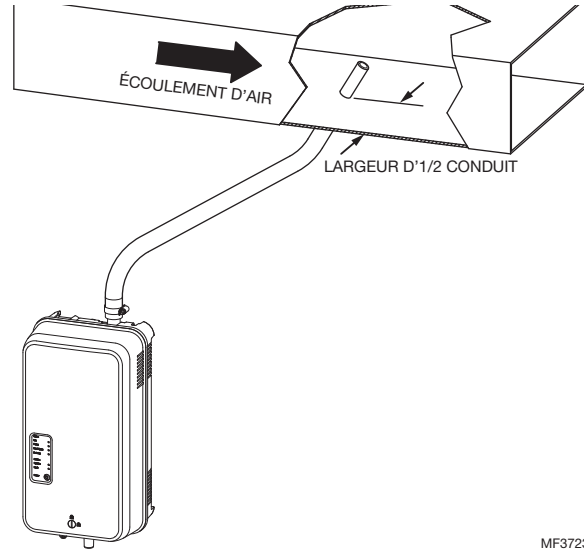


Fig. 4. Buse de distribution installée verticalement sur un conduit horizontal (montage à distance)

Emplacement de la buse de distribution de vapeur

Que l'humidificateur soit installé directement sur le conduit d'air ou à distance, l'emplacement de la buse de distribution sur le conduit d'air doit respecter les règles suivantes.

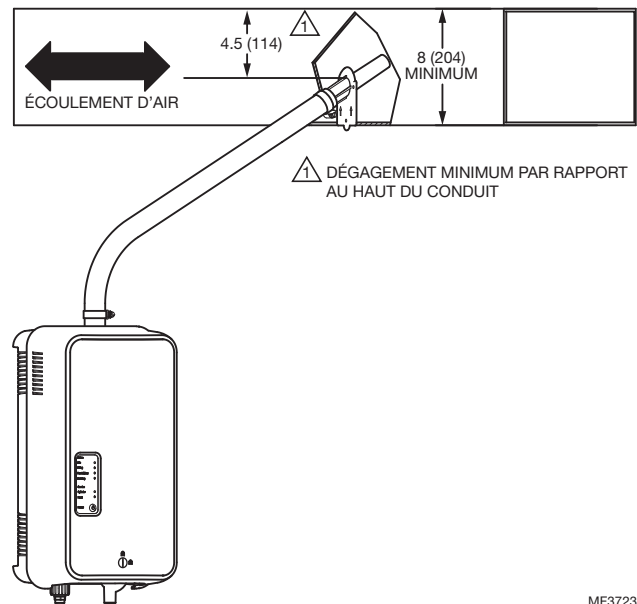


Fig. 5. Buse de distribution installée horizontalement (montage latéral) sur un conduit horizontal (montage à distance). Mesures en po (mm).

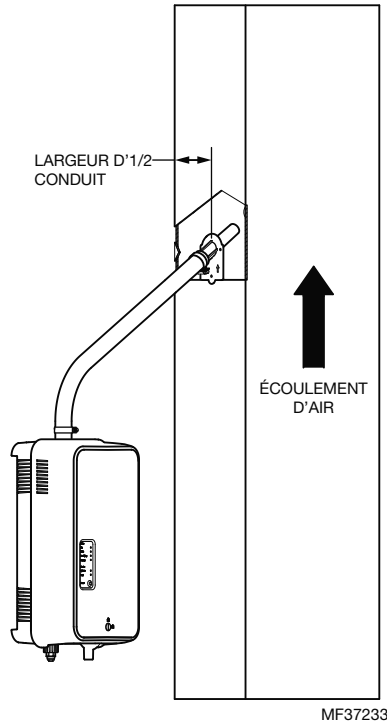


Fig. 6. Buse de distribution installée horizontalement sur un conduit vertical (montage à distance)

Instructions pour les lignes de vapeur

Veillez suivre les instructions ci-dessous pour l'installation des lignes de vapeur du HM750. La non-utilisation du matériel recommandé (voir le Tableau 5) ou le non-respect de toute autre instruction d'installation des lignes de vapeur se traduira par un fonctionnement incorrect et pourrait annuler la garantie.

Tableau 5. Matériel recommandé pour les lignes de vapeur du HM750.

Tension	Sortie de vapeur		Matériel*	Longueur de la ligne de vapeur	Pertes possibles		Débit minimum CFM (l/min)	Pression statique max
	lbs/h (kg/h)	gal./jour (l/j)			lbs/h (kg/h)	gal./jour (l/j)		
110/120 V	3,8 (1,7)	11 (41,6)	1 in. dia. (25,4 mm)	Recommandée : 5 pi (1,5 m)	0,4 (0,2)	1,1 (4,2)	115 (3 256)	2 po. de col. d'eau
220/240 V	7,7 (3,5)	22 (83,3)		Maximale : 15 pi (4,6 m)	0,4 (0,2)	1,1 (4,2)	230 (6 513)	

* L'utilisation d'une ligne de vapeur autre que le tuyau de vapeur fourni par Resideo annulera la garantie et risque d'altérer le fonctionnement de l'humidificateur.

REMARQUE : La condensation n'est pas renvoyée à l'humidificateur via une ligne distincte. La ligne de vapeur est utilisée pour ce faire. Vérifiez donc que la pente est correcte. Si vous préférez utiliser une pompe de condensation, assurez-vous que celle-ci peut être utilisée avec de l'eau chaude.

Principales règles à respecter pour les lignes de vapeur atmosphérique

- Les lignes de vapeur ne doivent pas présenter d'obstacles susceptibles de provoquer une contre-pression.
- Longueur maximale recommandée des lignes de vapeur : 4,6 m (15 ft.)
- Utilisez uniquement le tuyau fourni par Resideo et respectez les longueurs recommandées.
- Installez la ligne de vapeur à la verticale (vers le haut) entre le HM750 et la buse de distribution, avec une pente minimale de 10 cm (4 po) d'ÉLEVATION pour chaque LONGUEUR DE LIGNE de 30 cm (12 po).
- Utilisez une isolation pour tuyau de 3,8 cm (1,5 po) sur le tuyau de vapeur (recommandé).
- Ne serrez pas de manière excessive le collier de serrage au niveau de la sortie de vapeur du cylindre.
- Si vous utilisez le tuyau de vapeur de 4,6 m, soutenez-le de façon à maintenir une pente adéquate et éviter de faire peser un poids excessif sur l'humidificateur et la buse.

Buse de distribution de vapeur

Montage à distance — Le HM750 doit être relié par un tuyau de vapeur à une buse de distribution de vapeur installée à côté de l'alimentation des conduites. À la livraison, le HM750 est configuré avec un guide de vapeur destiné à un montage à distance. La sortie de vapeur est orientée vers le haut et est uniquement utilisée lorsque l'humidificateur est installé à distance du conduit d'alimentation en air.

La buse de distribution de vapeur doit être installée le plus près possible de l'humidificateur – avec une distance maximale de 4,6 m (15 pi). Le HM750 est fourni avec un tuyau de vapeur de 1,5 m. Un tuyau de 4,6 m est disponible en tant qu'accessoire. Les lignes de distribution de vapeur courtes limitent la condensation et le risque de contre-pression. Il est essentiel que la ligne de

vapeur ait une pente constante d'au moins 10 cm (4 po) d'ÉLEVATION pour chaque LONGUEUR DE LIGNE de 30 cm (12 po). Voir la Fig. 8.

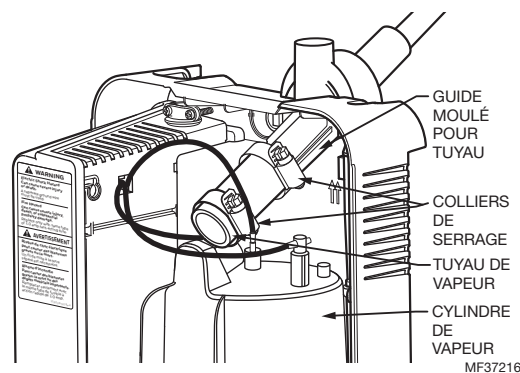


Fig. 7. Guide de vapeur moulé.

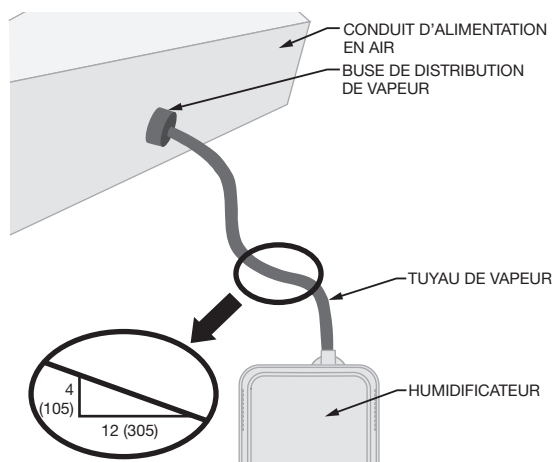


Fig. 8. Exigences en matière de pente minimale pour la ligne de vapeur. Mesures en po (mm)

Exemples d'installation de la ligne de vapeur

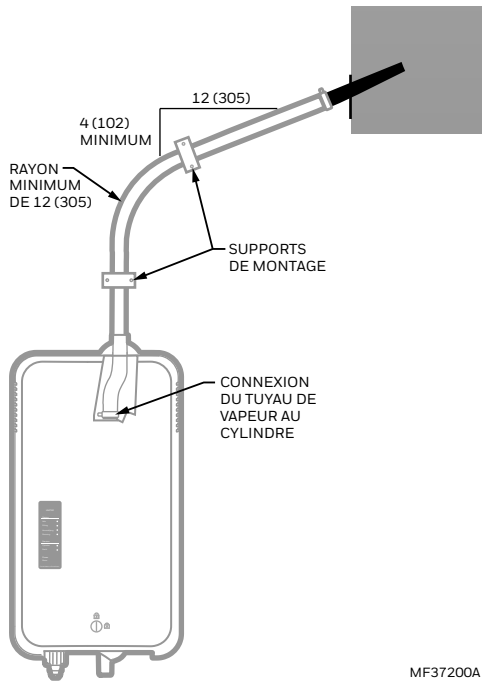


Fig. 9. Distributeur de vapeur au-dessus de l'humidificateur (tuyau). Mesures en po (mm).

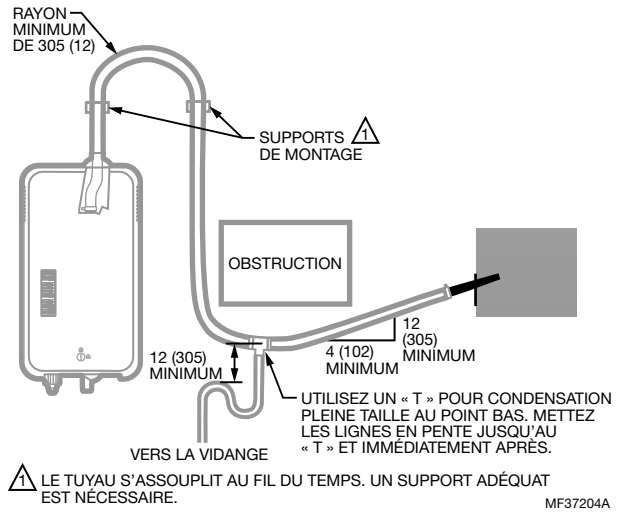


Fig. 10. Distributeur de vapeur sous l'humidificateur avec obstruction (tuyau). Mesures en po (mm).

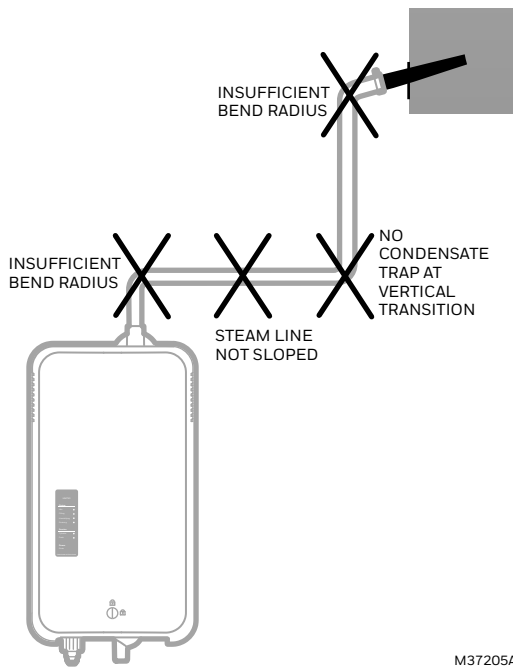


Fig. 11. Erreurs courantes d'installation de la ligne de vapeur.

MONTAGE DE L'HUMIDIFICATEUR

Le HM750 peut être monté soit directement sur le conduit d'alimentation en air soit à distance sur un mur. En cas de montage à distance, la buse de distribution est montée sur un conduit et reliée au HM750 par un tuyau de vapeur.

Le HM750 présente un trou de serrure et trois orifices de montage supplémentaires, comme représenté sur la Fig. 12.

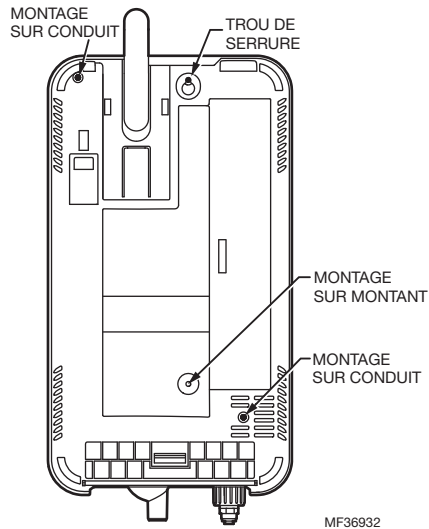


Fig. 12. Emplacements de montage (vue arrière).

Montage mural

Le HM750 est livré dans une configuration pour montage mural. Dans cette configuration, l'humidificateur peut être installé sur un montant de 2x4, et la buse de distribution de vapeur, située à l'extrémité d'un tuyau de vapeur de 1,5 m (5 pi), est insérée dans un conduit d'alimentation en air (Fig. 13).

REMARQUE : Utilisez des vis n° 8 d'au moins 5 cm (2 po) de long (incluses) pour un montage directement sur le montant de 2x4. Utilisez des vis plus longues si le montant est situé derrière une cloison sèche ou une autre entretoise.

REMARQUE : La buse de distribution de vapeur DOIT être installée plus haut que l'humidificateur (Fig. 13). Le tuyau de vapeur doit conserver une pente d'au moins 10 cm (4 po) d'élévation pour chaque longueur de tuyau de 30 cm (12 po).

! **MISE EN GARDE**
Ne retirez pas le couvercle lorsque l'humidificateur est sous tension.

1. Retirez le couvercle de l'humidificateur et sortez le cylindre. Insérez la vis supérieure jusqu'à ce qu'il n'y ait plus que 6 mm (0,25 po) exposés. Suspendez l'humidificateur à la tête de la vis par le trou de serrure (Fig. 12).
2. Assurez-vous que l'humidificateur est de niveau, puis fixez-le au montant à l'aide d'une autre vis au niveau de l'emplacement inférieur de montage sur le montant (Fig. 12).
3. Faites un trou de 44 mm (1,75 po) dans le conduit pour la buse de distribution de vapeur. Fixez le tuyau de vapeur à la buse de distribution et à l'adaptateur pour montage à distance sur l'humidificateur. Insérez ensuite la buse de distribution de vapeur et fixez-la en place avec des vis.

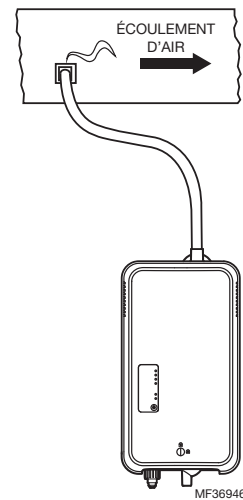


Fig. 13. Montage mural.

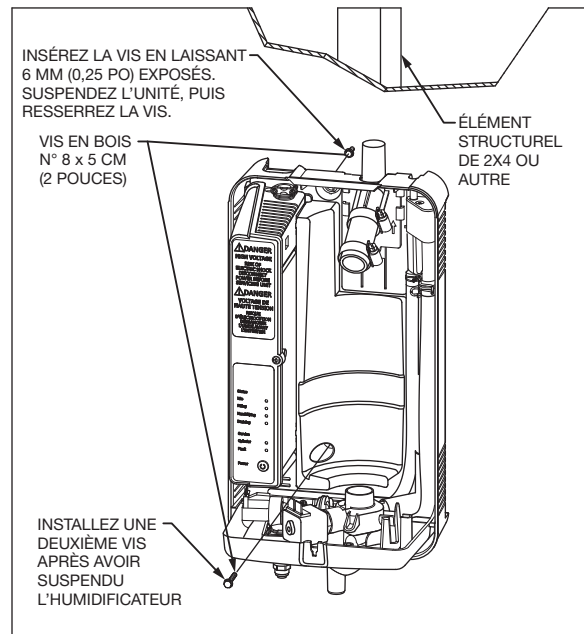


Fig. 14. Montage avec les trous de serrure.

Montage sur le conduit d'alimentation

Le HM750 peut également être monté directement sur le conduit d'alimentation. Dans ce cas, vous devez retirer le guide de vapeur et le remplacer par la buse de vapeur et le déflecteur comme suit :

RETIREZ LE GUIDE DE VAPEUR



MISE EN GARDE

Ne retirez pas le couvercle lorsque l'humidificateur est sous tension.

1. Retirez le couvercle avant de l'humidificateur.
2. Retirez les connecteurs haute tension du cylindre et le connecteur du capteur de niveau d'eau élevé des broches du cylindre en les tirant à la verticale.
3. Desserrez le collier de serrage le plus éloigné de la sortie de vapeur du cylindre (celui fixé au guide de vapeur en plastique). Retirez le cylindre en laissant le tuyau de vapeur court attaché. Voir la Fig. 15.
4. Retirez l'adaptateur de tuyau en poussant la languette de déverrouillage vers l'arrière de l'humidificateur et en faisant glisser l'adaptateur vers le bas.

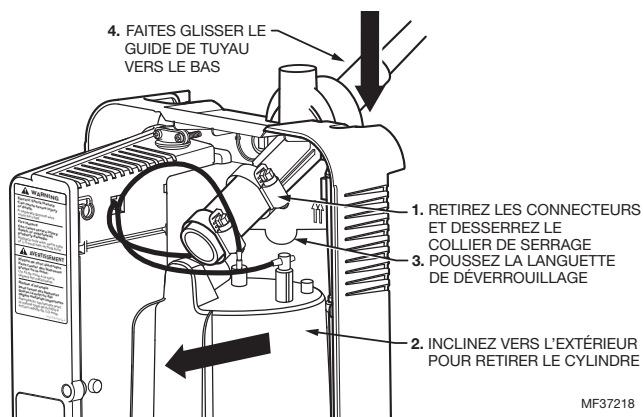


Fig. 15. Transformation en configuration pour montage sur conduit

PRÉPAREZ LA BUSE DE DISTRIBUTION DE VAPEUR

1. Localisez la buse de distribution de vapeur et le déflecteur fournis.
2. Insérez le déflecteur dans la buse de montage sur conduit.

REMARQUE : Un mécanisme à clé sur le déflecteur garantit l'orientation correcte de ce dernier dans la buse.



Fig. 16. Insertion du déflecteur dans la buse de montage sur conduit. La clé garantit un alignement correct.

INSTALLEZ LA BUSE DE DISTRIBUTION DE VAPEUR

1. Installez la buse avec le déflecteur directement sur l'humidificateur à l'endroit où vous avez retiré l'adaptateur de tuyau. La buse s'enclenche en place.
2. Insérez la base du cylindre dans la soupape de vidange. Appuyez sur le cylindre pour vous assurer qu'il est correctement enfoncé dans la soupape de vidange. Sinon, il risque de fuir.
3. Faites pivoter le cylindre pour le remettre en place tout en guidant le tuyau de vapeur court fixé au cylindre sur la buse de montage sur conduit.
4. Fixez le tuyau de vapeur à la buse de montage sur conduit à l'aide du collier de serrage. Ne serrez PAS de manière excessive sous peine d'endommager la buse de montage sur conduit.
5. Remettez les connecteurs haute tension du cylindre et le connecteur du capteur de niveau d'eau élevé sur les broches du cylindre.

MONTAGE SUR CONDUIT DE L'HUMIDIFICATEUR

1. Placez le gabarit de montage sur conduit fourni avec l'humidificateur sur le côté du conduit où l'humidificateur n'interférera pas avec le fonctionnement ou l'entretien de l'appareil de chauffage.
2. En suivant le gabarit, percez un trou de 44 mm (1,75 po) sur le conduit pour insérer la buse de montage sur conduit.
3. Insérez la vis supérieure jusqu'à ce qu'il n'y ait plus que 6 mm (0,25 po) exposés. Suspendez l'humidificateur à la tête de la vis par le trou de serrure (Fig. 17).

REMARQUE : Vous devez installer le joint en mousse en forme de beignet entre l'humidificateur et le conduit.

4. Assurez-vous que l'humidificateur est de niveau, puis fixez-le au conduit à l'aide de deux vis aux emplacements de montage sur conduit (Fig. 12) et remettez le couvercle en place.

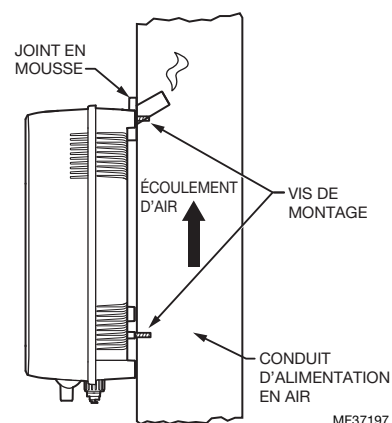


Fig. 17. Montage sur conduit avec installation du joint en mousse entre l'humidificateur et le conduit d'alimentation en air.

PLOMBERIE

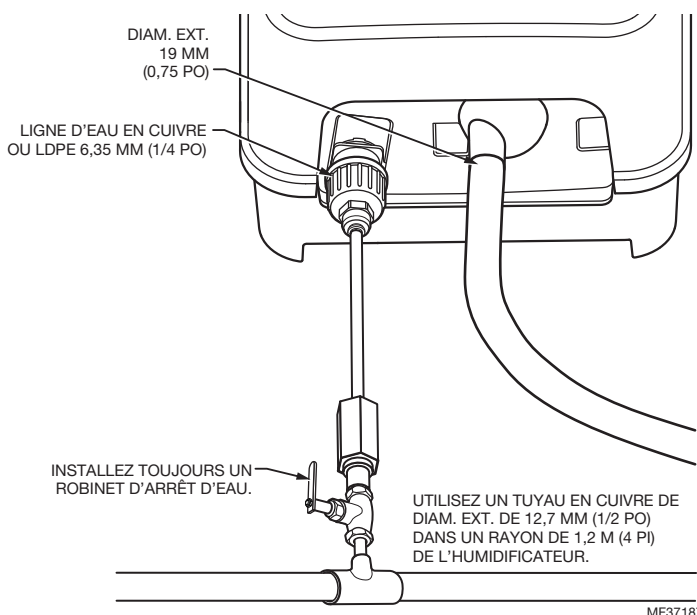


Fig. 18. Raccordement de l'alimentation en eau et de la vidange.

IMPORTANT

- Utilisez de l'eau potable.
- Tous les raccordements des lignes d'alimentation en eau et de vidange doivent être installés conformément aux codes de plomberie locaux.
- L'eau de vidange est automatiquement refroidie à 71 °C (160 °F) lorsque le HM750 effectue un cycle de vidange. Lorsqu'une vidange d'urgence est effectuée, il est possible que la température soit plus élevée. Le matériel de vidange (tube et vidange) doit être adapté à une température de 93 °C (200 °F).
- La pression de l'eau d'alimentation doit être comprise entre 30 et 100 PSIG. Le cas échéant, il est possible d'utiliser une soupape de détente.
- **N'utilisez pas d'eau traitée par osmose inverse ni d'eau déionisée. La conductivité de l'eau d'alimentation doit être comprise entre 125-1200 µS/cm (microsiemens/cm) pour des performances optimales.**
- **L'eau d'alimentation doit être froide**, dans une plage de température de 4 à 30 °C (39,2 à 86 °F).
- Installez le robinet d'arrêt d'eau avant l'humidificateur pour faciliter l'entretien.
- La ligne de vidange ne doit pas aboutir dans un évier fréquemment utilisé par le personnel pour des raisons de sécurité ou lorsque les codes de plomberie l'interdisent. Acheminez-la vers un siphon au sol ou reliez-la directement au système d'évacuation du bâtiment.
- Vérifiez que les dimensions de la ligne de vidange garantissent une évacuation simple et sans obstruction. Une évacuation obstruée peut provoquer une surconcentration de l'eau du cylindre et se traduire par un fonctionnement déficient.
- La ligne de vidange doit présenter une pente continue depuis l'unité.
- Si aucune évacuation n'est située à proximité de l'humidificateur, utilisez une pompe d'extraction adaptée à l'eau d'évacuation chaude.

Raccordement de la ligne d'alimentation en eau

Branchez la conduite d'alimentation en eau (cuivre ou LDPE, fournie avec l'équipement) sur le raccord d'alimentation (Fig. 18). Pour ce faire, insérez la conduite d'eau dans le raccord rapide.

REMARQUE : Pour retirer la ligne d'alimentation en eau, l'embout flottant du raccord de remplissage est poussé légèrement vers l'intérieur, ce qui libère la ligne d'alimentation. Il est alors possible de retirer la conduite d'alimentation en eau.

Raccordement de la ligne de vidange

Raccordez le tuyau de vidange (fourni avec l'équipement) au raccord de vidange (Fig. 18). Notez qu'il y a un espace d'air à l'intérieur de la vidange, de sorte qu'aucun espace d'air externe à l'humidificateur n'est requis. Il est possible de raccorder la ligne de vidange directement au robinet de vidange rouge à l'aide d'un collier de serrage à vis sans fin ou similaire.

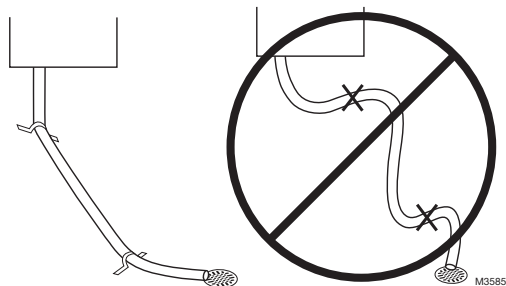


Fig. 19. Acheminement correct du tuyau de vidange (ancrages non inclus).

ÉLECTRICITÉ

! MISE EN GARDE

Le câblage doit être effectué par un électricien certifié. Il est recommandé d'effectuer l'installation sur un circuit à disjoncteur de fuite de terre. Ne retirez pas le couvercle lorsque l'humidificateur est sous tension.

! MISE EN GARDE

Risque d'endommagement de l'équipement
Si l'humidificateur n'est pas câblé conformément aux instructions de câblage, le produit pourrait subir des dégâts permanents et la garantie être annulée.

Sélection de la tension

Pour sélectionner la tension correcte (120 V c.a. ou 240 V c.a.), vérifiez que le cavalier est correctement placé entre les bornes appropriées du panneau de commande de l'humidificateur. Le HM750 est configuré en usine pour fonctionner sur un circuit de 240 V c.a. Si l'humidificateur doit être branché sur un circuit de 120 V c.a., déplacez le cavalier en direction des bornes de 120 V c.a. comme représenté sur la Fig. 20.

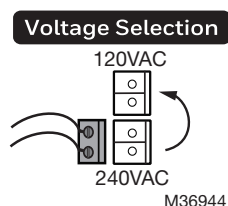


Fig. 20. Cavalier de sélection de la tension sur le panneau de commande de l'humidificateur

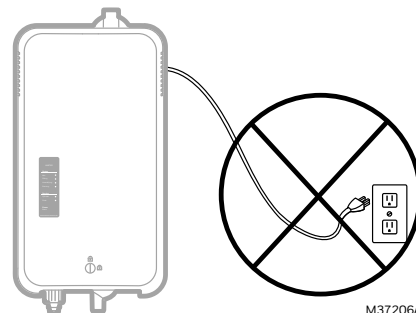
Connexion de l'alimentation

Exigences

- Fil de calibre 12 ou 14 AWG
- Circuit dédié de 15 A**, 120/240 V (un circuit à disjoncteur de fuite de terre est recommandé)
- Boîte d'interrupteur locale (facultatif; l'utilisation d'un interrupteur entre l'humidificateur et le coupe-circuit est recommandée et est utile pour les entretiens ultérieurs.)

! AVERTISSEMENT

Le HM750 doit être branché sur un circuit dédié de 15 A afin d'être en conformité avec les exigences de la certification UL. Tout le câblage doit être effectué conformément aux codes électriques en vigueur. Le non-respect de cette consigne annulera la garantie du produit. L'utilisation de fiches d'alimentation électriques peut provoquer une surchauffe et entraîner un risque de dommages matériels ou de blessures.



Procédure de câblage

- Installez une boîte d'interrupteur locale entre l'humidificateur et le coupe-circuit comme représenté sur les figures 21 et 22 (facultatif).
- Acheminez le fil d'alimentation à travers le connecteur serre-câble situé en haut du boîtier électrique rouge.
- Reliez les fils d'alimentation aux bornes de **MAIN SUPPLY** (alimentation principale) (**L1**, **L2/N**, et **GND**) situées sur le panneau de commande de l'humidificateur.

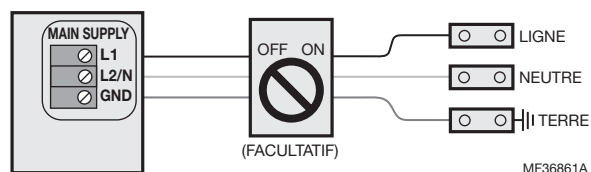


Fig. 21. Raccordement de l'alimentation principale de 120 V c.a. (1 phase)

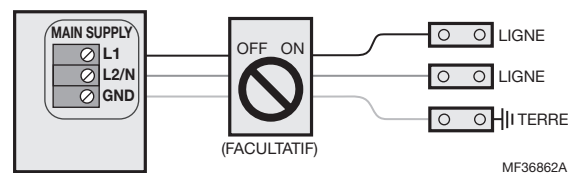


Fig. 22. Raccordement de l'alimentation principale de 240 V c.a. (1 phase)

REMARQUES :

- Resideo recommande l'utilisation d'un circuit à disjoncteur de fuite de terre sur l'appareil pour protéger l'utilisateur contre les décharges électriques.
- Vérifiez qu'une alimentation adéquate est disponible pour assurer un appel de courant maximum à l'humidificateur, comme indiqué sur l'étiquette des spécifications.
- N'utilisez pas le fil neutre pour la mise à la terre; branchez un fil dédié à la borne de terre.
- Tout le câblage doit être conforme aux codes électriques nationaux et locaux.

Commandes à basse tension

Exigences

- Utilisez un fil solide d'un calibre d'au moins 18 AWG.
- Le câblage basse tension doit être acheminé à travers l'orifice situé sur la gauche du connecteur serre-câble.
- Maintenez les fils de contrôle les plus courts possible.

Procédure de câblage

L'humidificateur peut être relié aux trois appareils suivants (Fig. 23) :

1. Humidistat ou thermostat
2. Dispositif de contrôle de la présence d'air (recommandé)
3. Ventilateur externe (requis lorsqu'un humidistat est utilisé)

Raccordement de l'humidistat ou du thermostat

Connectez un humidistat ou un thermostat aux bornes **HUM** de l'humidificateur. L'humidificateur fournit une source d'alimentation de 24 V c.a. à l'humidistat ou au thermostat, si nécessaire (5 VA max.).

REMARQUE : L'installation de l'HumidiPRO à proximité de l'appareil de chauffage (sur le conduit) est autorisée mais non recommandée. Dans la mesure du possible, placez l'HumidiPRO dans une zone à fort trafic de la maison.

Dispositif de contrôle de la présence d'air

Resideo recommande l'utilisation d'un dispositif de contrôle de la présence d'air tel que le commutateur à pression différentielle Resideo (50027910-001) pour garantir que la vapeur est uniquement distribuée lorsque l'air circule. Raccordez le dispositif de contrôle de la présence d'air aux bornes **AP**. Si vous n'installez pas de dispositif de contrôle de la présence d'air, placez un cavalier entre les bornes **AP**.

Verrouillage du ventilateur

Branchez un ventilateur externe (facultatif) aux bornes **EXTERNAL** (externes). Le ventilateur se met en route chaque fois qu'il y a un appel d'humidité.

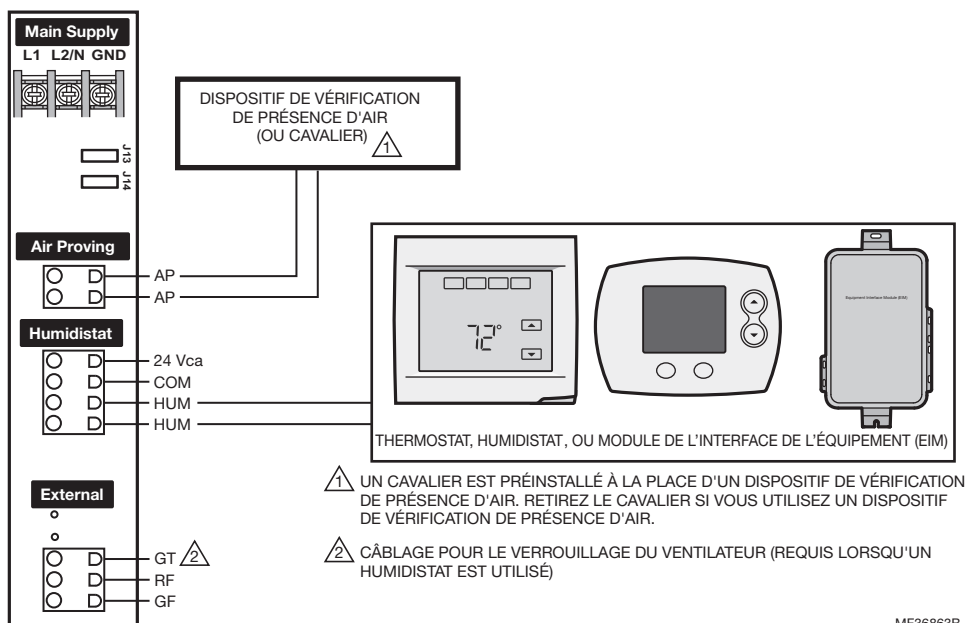


Fig. 23. Câblage de l'humidificateur de vapeur à l'aide d'un thermostat numérique.

Câblage de verrouillage du ventilateur avec HumidiPRO

Lors de la distribution de vapeur dans une conduite, un appel d'humidité peut se produire en l'absence de débit d'air. Il est possible d'utiliser le HM750 avec le contrôleur HumidiPRO ou un autre thermostat pour activer un ventilateur en cas d'appel d'humidité. Si vous utilisez un autre thermostat, consultez le manuel de celui-ci pour obtenir les instructions de câblage pour l'activation du ventilateur avec un dispositif d'humidification électrique.

REMARQUE : Humidificateur arrêtera de produire de la vapeur si le contact du détecteur de présence d'air est ouvert ou il n'y a pas de cavalier aux bornes **AP**.

Ces informations sont valables pour toutes les commandes, fournies en usine ou autres. Pour le câblage, utilisez un fil solide d'un calibre d'au moins 18 AWG le plus court possible.

Contrôle de l'humidité

- Vous pouvez l'installer sur le conduit de retour (de préférence) ou dans la pièce humidifiée.
- Évitez de le placer à proximité du diffuseur de sortie de l'air humidifié.
- Montez-le dans un endroit représentatif de l'humidité ambiante (les courants d'air, les pas de porte, la lumière du soleil ou des surplombs tels qu'une étagère peuvent compromettre la lecture).

Capteur de température extérieure en option (fourni avec l'HumidiPRO)

- Montez-le à l'extérieur, dans un endroit représentatif de la température de l'air.

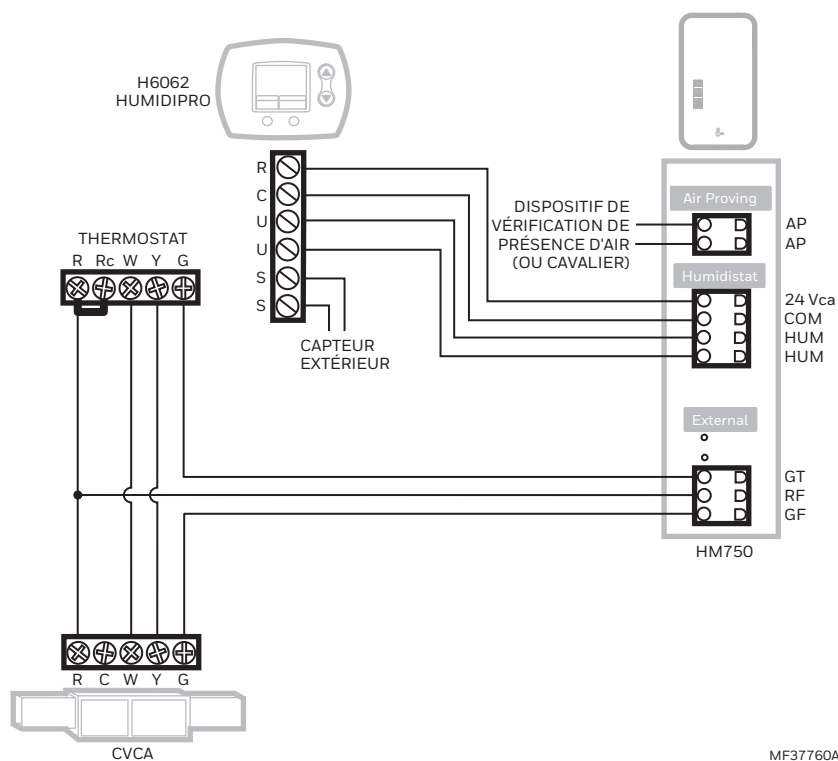


Fig. 24. Câblage de l'humidificateur de vapeur à l'aide d'un thermostat mécanique.

REMARQUE : Si un appareil Prestige, VisionPRO, T10 (ou un appareil semblable) est utilisé pour contrôler l'humidité, câblez les deux contacts en U du thermostat à HUM et HUM sur le HM750. Avec le cavalier en place entre les bornes AP du HM750, seuls ces deux fils sont requis pour le contrôle de l'humidité. Assurez-vous de configurer le thermostat de manière à forcer l'activation du ventilateur lors d'un appel d'humidité si le câblage RF, GT et GF n'est pas utilisé.

DÉMARRAGE

Vérification de l'installation

Avant de mettre le HM750 sous tension, inspectez l'installation pour vérifier qu'elle a été effectuée correctement, conformément aux présentes instructions d'installation.

Marche/arrêt

Le HM750 est configuré en usine pour fonctionner en tant qu'humidificateur avec commande de marche/arrêt. Il se met en route lorsqu'une tension de 24 V c.a. en provenance d'une borne **HUM** est renvoyée à l'autre borne **HUM** au moyen d'un humidistat avec commande de marche/arrêt.

AVERTISSEMENT

Risque de blessure

N'utilisez jamais un appareil endommagé ou installé incorrectement. Des appareils endommagés ou installés incorrectement peuvent présenter un danger pour les personnes et les biens.

Procédure de démarrage

1. **Vérifiez que le cavalier de sélection de la tension sur le circuit imprimé principal est correctement configuré de façon à correspondre à la tension d'alimentation principale (120 V c.a. ou 240 V c.a.).**
2. Si un interrupteur est installé, placez-le en position « ON » (marche).
3. Vérifiez que le robinet d'alimentation en eau est ouvert.
4. Appuyez sur le bouton **Power/Drain** (Alimentation/Vidange) sur l'avant de l'humidificateur. **L'appareil se met alors sous tension.**
 - L'humidificateur effectue une séquence d'autodiagnostic durant laquelle les voyants DEL et les composants internes sont temporairement activés. Reportez-vous à la section « Voyants DEL d'état » à la page 17 pour obtenir des explications sur les voyants DEL et les séquences.
 - Si une erreur est détectée pendant la séquence d'autodiagnostic, l'humidificateur ne démarrera pas. Le voyant DEL **Fault** (défaut) jaune clignote en séquence pour indiquer l'erreur détectée. Reportez-vous aux Tableaux 6 et 7 pour obtenir des informations sur le diagnostic et la correction des erreurs.
 - Après le test du système, l'humidificateur bascule en mode de fonctionnement normal.

5. Vérifiez et ajustez le point de consigne de la commande sur l'humidistat de contrôle et, le cas échéant, l'humidistat de limite élevée. Cela aura pour effet de déclencher un appel d'humidité.
6. Si vous utilisez le relais d'activation du ventilateur sur le panneau de commande, le voyant DEL vert continue de clignoter jusqu'à la détection d'un courant d'air par le détecteur de présence d'air. Une fois la détection confirmée, le voyant DEL vert clignotant devient fixe et l'humidificateur commence à produire de la vapeur.
7. Lorsque l'humidistat externe déclenche un appel d'humidité et que les bornes de l'interrupteur de contrôle de la présence d'air sont fermées, le voyant DEL **Filling** (remplissage) sur l'avant de l'humidificateur s'allume, le relais d'alimentation sur le panneau de commande s'enclenche, la soupape d'alimentation en eau s'active (après un délai) et le cylindre se remplit lentement d'eau.

REMARQUE : L'eau ne doit pas couler dans la vidange pendant le remplissage du cylindre avec de l'eau. L'écoulement d'eau dans la vidange peut être le signe d'une contre-pression excessive ou d'une fuite de la soupape de vidange. Reportez-vous à la section Dépannage.

8. **Il peut falloir jusqu'à 20 minutes pour que l'eau soit chauffée par les électrodes submergées et pour que de la vapeur soit produite.**

REMARQUE : **L'humidificateur est livré avec une tablette de sel déjà insérée dans le cylindre de vapeur.** Le premier démarrage assure une première ébullition en 5-20 minutes, en fonction de la conductivité de l'alimentation en eau.

REMARQUE : Si vous redémarrez l'humidificateur après qu'il a été vidangé et a déjà effectué plusieurs cycles de réduction par ébullition, il faudra peut-être plus de temps au HM750 pour atteindre sa pleine capacité de sortie. Cette opération peut prendre plusieurs heures en cas d'eau de faible conductivité. Pendant ce temps, l'humidificateur n'effectue aucune vidange et la conductivité de l'eau dans le cylindre augmente.

REMARQUE : L'humidificateur effectue des vidanges par intermittence dans le cadre du processus normal d'optimisation de la conductivité de l'eau dans le cylindre. Pendant ces vidanges, le voyant DEL **Drain** (vidange) ne s'allume pas.

FONCTIONNEMENT

Voyants DEL d'état

L'interface utilisateur du HM750 comprend une série de voyants DEL qui fournissent des informations sur l'état de l'humidificateur.

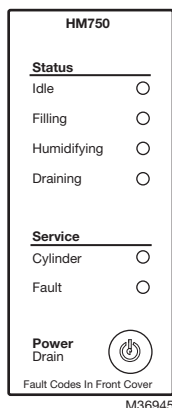


Fig. 25. Interface utilisateur de l'humidificateur.

État

Idle (Veille)

Ce voyant DEL s'allume lorsque l'humidificateur est alimenté et qu'il est sous tension, mais qu'il n'y a pas de demande en provenance de l'humidistat. S'il y a une demande mais que les bornes **AP** du panneau de commande ne sont pas fermées, le voyant DEL **Idle** (Veille) clignote. Le voyant DEL **Idle** (Veille) s'allume également lors de la vidange non demandée à 72 heures, qui est effectuée automatiquement si aucune demande d'humidification n'a été envoyée au bout de 72 heures pour des raisons d'hygiène.

Filling (Remplissage)

Ce voyant DEL vert s'allume immédiatement après qu'il y a eu une demande de vapeur. Il s'éteint dès que l'humidificateur détermine que de la vapeur est générée.

Humidifying (Humidification)

Ce voyant DEL vert s'allume dès que l'humidificateur détermine que de la vapeur est générée. Reportez-vous à la description sous **Filling** (Remplissage).

Draining (Vidange)

Ce voyant DEL vert s'allume lors d'une vidange non demandée à 72 heures (voir la description sous **Idle**). Il s'allume également lorsque vous appuyez sur le bouton **Power/Drain** (Alimentation/Vidange), dans la mesure où l'humidificateur effectue une vidange avant de s'éteindre.

SERVICE

Cylinder (Cylindre)

Ce voyant DEL jaune s'allume lorsque l'humidificateur établit que le cylindre arrive en fin de vie en raison de l'accumulation de calcaire sur les électrodes.

L'humidificateur continue de fonctionner normalement tandis que ce voyant clignote. Après 7 jours de clignotement, le voyant DEL devient fixe et l'humidificateur ne génère plus de vapeur. Vous devez remplacer le cylindre. Reportez-vous à la section « Kit de remplacement du cylindre » à la page 20.

Fault (Défaut)

Ce voyant DEL rouge clignote si l'humidificateur a détecté une erreur :

- 1 clignotement : Erreur de courant excessif
- 2 clignotements : Erreur de remplissage/vidange
- 3 clignotements : Erreur de courant insuffisant
- 4 clignotements : Erreur de la carte de circuits imprimés
- 5 clignotements : Erreur de sélecteur de tension

Pour plus d'informations, reportez-vous à la section Dépannage.

BOUTON PRINCIPAL

Power/Drain (Alimentation/Vidange)

Lorsque l'alimentation principale est reliée à l'humidificateur, vous devez appuyer sur le bouton **Power/Drain** (Alimentation/Vidange) pour générer de la vapeur. Vous pouvez également appuyer sur ce bouton quand vous le souhaitez pour mettre l'humidificateur hors tension. Resideo déconseille de mettre l'humidificateur hors tension à un moment quelconque en cours de fonctionnement normal. S'il n'y a pas de demande d'humidification, l'humidificateur n'enverra pas de courant aux électrodes.

Le bouton **Power/Drain** (Alimentation/Vidange) est également utilisé pour réinitialiser l'appareil après une erreur. Pour ce faire, appuyez sur le bouton et maintenez-le enfoncé pendant 5 secondes.

Sélection d'un point de consigne pour l'humidité relative

Le point de consigne optimal de l'humidité dépend des raisons pour lesquelles un espace est humidifié. Le manuel « ASHRAE Handbook HVAC Applications » recommande une humidité relative de conception spécifique pour des applications déterminées. Les humidités recommandées par l'AHRI sont présentées dans le Table 3 on page 4.

Point de consigne recommandé – Les bénéfices de l'humidité sont plus prononcés dans la plage de HR de 40-60 %. Une HR de 40-45 % est recommandée pour éviter une humidification excessive.

Abaissement de température – En cas de climat froid, il est souvent nécessaire de réduire le taux d'humidité d'un environnement climatisé pour empêcher l'accumulation de condensation sur la face intérieure des murs extérieurs, des fenêtres et des moulures. Pour éviter les dégâts dus à la condensation dans de telles conditions, il est vivement recommandé d'utiliser les fonctions d'abaissement de l'humidité des humidistats ou des autres dispositifs de régulation. Le dispositif de régulation numérique avec capteur de température extérieure installé abaisse automatiquement le point de consigne de l'humidité pour le faire correspondre à la température extérieure.

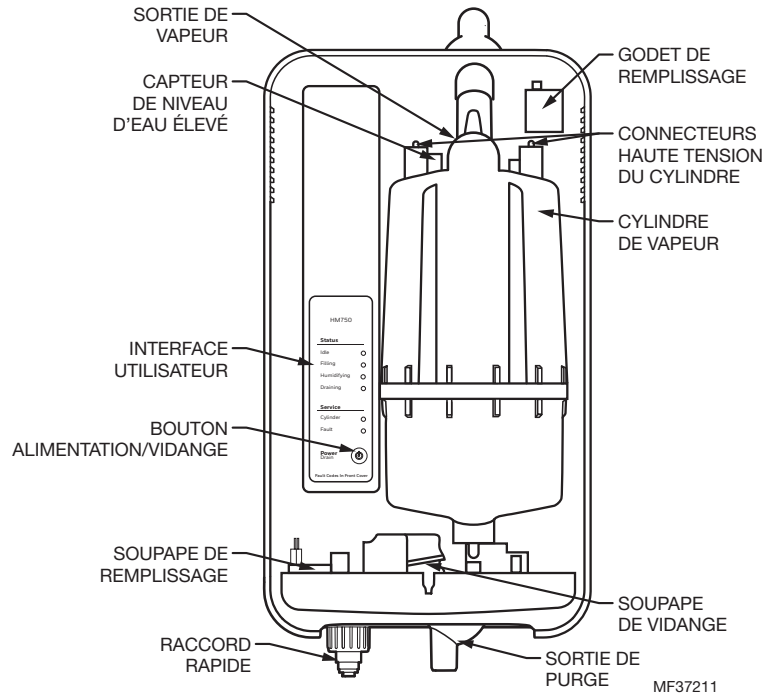



Fig. 26. Composants de l'humidificateur.

Composant	Fonction
Connecteurs haute tension du cylindre	Connecteurs d'alimentation aux électrodes dans le cylindre.
Sortie de purge	Raccordement au tuyau de vidange utilisé pour éliminer l'eau de l'humidificateur.
Soupape de vidange	Évacue l'eau de l'humidificateur.
Godet de remplissage	Fournit un espace d'air pour empêcher le refoulement.
Soupape de remplissage	Contrôle le débit de l'eau dans l'humidificateur.
Capteur de niveau d'eau élevé	Utilisé pour détecter le niveau d'eau maximum dans le cylindre.
Bouton Power/Drain (Alimentation/ Vidange)	Utilisé pour mettre l'humidificateur sous ou hors tension. Veuillez noter que l'eau présente dans le cylindre est purgée avant la mise hors tension de l'humidificateur. <div style="text-align: center;">  MISE EN GARDE L'unité reste alimentée en interne même après son arrêt. </div>
Cylindre de vapeur	Réceptacle de génération de vapeur qui maintient les électrodes dans l'eau. Le courant entre les électrodes génère la chaleur utilisée pour produire la vapeur.
Sortie de vapeur	Raccordée au guide de vapeur à l'aide d'un court morceau de tuyau de vapeur.
Raccord d'alimentation en eau	Raccordement pour l'alimentation en eau.
Interface utilisateur	Utilisé pour indiquer l'état de l'humidificateur à l'utilisateur.

ENTRETIEN ET RÉVISION

Entretien requis

L'humidificateur HM750 a été conçu pour nécessiter un minimum d'entretien. L'entretien périodique consiste à vérifier que l'humidificateur est en bon état, à remplacer le cylindre lorsque le logiciel signale qu'il est en fin de vie et à nettoyer la soupape de vidange chaque fois que le cylindre est remplacé.

CYLINDRE

Le voyant DEL du cylindre indique quand remplacer ce dernier (voir page 17). La fréquence approximative de remplacement est d'une fois par an.

REMARQUE : Il est normal que vous entendiez du bruit en manipulant un nouveau cylindre car celui-ci est livré avec une tablette de sel pour accroître la conductivité.

SOUPAPE DE REMPLISSAGE

L'entrée vers la soupape de remplissage est équipée d'un filtre qui empêche les débris présents dans l'eau d'alimentation de faible qualité de pénétrer dans le système. L'accumulation de débris sur le filtre peut réduire le débit d'eau en entrée ou le bloquer complètement. Il convient donc de nettoyer régulièrement le filtre de la soupape de remplissage, en fonction de la qualité de l'eau, ou à la fin de chaque saison.

SOUPAPE DE VIDANGE

Inspectez-la annuellement. Retirez et nettoyez le calcaire/les débris à la fin de chaque saison ou selon les besoins.

Une utilisation avec de l'eau de conductivité très élevée peut générer une grande quantité de calcaire, laquelle risque de bloquer la valve de vidange et de provoquer une fuite continue. Le système de commande indiquera alors une erreur de vidange ou déclenchera le circuit à disjoncteur de fuite de terre s'il détecte une fuite de courant électrique.

Dans tous les cas, un nettoyage approprié de la soupape de vidange est recommandé.

RACCORDEMENTS DES TUYAUX

Inspectez-les annuellement et nettoyez-les si nécessaire.

BUSE (MONTAGE SUR CONDUIT OU À DISTANCE)

Inspectez-les annuellement et nettoyez-les si nécessaire.

Arrêt prolongé

Si vous devez débrancher l'alimentation de l'humidificateur pour une période prolongée, suivez la procédure ci-dessous :

1. Appuyez sur le bouton **Power/Drain** (Alimentation/Vidange).
2. Attendez que l'humidificateur soit entièrement purgé (généralement en moins de 10 minutes). Pendant le cycle de vidange, la soupape de remplissage s'active pour tempérer l'eau vidangée.
3. Coupez l'alimentation de l'humidificateur à l'aide du disjoncteur externe.
4. Fermez le robinet d'arrêt d'eau.

REMARQUE : Tant que le HM750 est alimenté, il vidange automatiquement le cylindre lorsqu'il n'y a pas eu d'appel d'humidité pendant une période prolongée (3 jours). Cette fonction réduit ou empêche le risque de corrosion et d'accumulation d'algues et de bactéries dans le cylindre. Le cylindre reste vide jusqu'à ce qu'il y ait un appel d'humidité. La soupape de remplissage s'ouvre alors et remplit le cylindre. L'unité suit le processus normal pour garantir un fonctionnement optimal.

DÉMARRAGE APRÈS UN ARRÊT PROLONGÉ

1. Vérifiez si l'humidificateur n'a pas été endommagé et si l'installation n'a pas été altérée. Reportez-vous à la section « Procédure de démarrage » à la page 16.
2. Mettez l'humidificateur sous tension à l'aide du disjoncteur externe et ouvrez le robinet d'arrêt d'eau.
3. Appuyez sur le bouton **Power/Drain** (Alimentation/Vidange).
4. Vérifiez que de l'eau ne s'écoule pas vers la vidange.
5. Suivez la procédure de démarrage à la page 16.

PIÈCES DE RECHANGE

! MISE EN GARDE

Avant l'entretien

1. Débranchez la source d'alimentation principale avant d'accéder aux compartiments internes.
2. Les compartiments électriques et de la plomberie contiennent des composants et des câblages à haute tension. L'accès doit être limité au seul personnel autorisé.
3. Pendant le fonctionnement de l'humidificateur et après, la vapeur et les composants en contact avec celle-ci, tels que le cylindre, les lignes de vapeur, les buses de distribution de vapeur et les lignes de condensation, peuvent devenir chauds et provoquer des brûlures s'ils sont touchés.
4. L'installation d'équipements d'humidification par du personnel non qualifié ou l'utilisation de composants/équipements de marque autre qu'Resideo annulera la garantie.

Erreur de cylindre usagé

Le voyant DEL Cylindre jaune s'allume lorsque l'humidificateur détermine que le cylindre arrive en fin de vie en raison de l'accumulation de calcaire sur les électrodes. L'humidificateur continue de fonctionner normalement tandis que le voyant clignote. **Après 7 jours de clignotement, si le cylindre n'est pas remplacé, l'humidificateur s'arrête et le voyant DEL du cylindre reste allumé en continu (sans clignotement). À ce stade, vous devez remplacer le cylindre.**

Le cylindre de vapeur est à usage unique et doit être remplacé en fin de vie. La durée de vie du cylindre est fonction des conditions d'alimentation en eau et de l'utilisation de l'humidificateur.

Nettoyez toujours la soupape de vidange avant d'installer un nouveau cylindre. Du calcaire présent sur le cylindre usagé peut tomber sur la soupape de vidange et empêcher son bon fonctionnement. Pour nettoyer correctement la soupape de vidange, vous devez la retirer et la démonter.

! MISE EN GARDE

Endommagement de l'équipement

Le non-remplacement du cylindre en fin de vie empêchera le bon fonctionnement de l'humidificateur et risque d'endommager ce dernier. Resideo n'est pas responsable des dégâts découlant du/imputable au non-remplacement d'un cylindre usagé.

REMARQUE : Resideo recommande de conserver un cylindre de rechange en stock pendant la saison humidification. Cela évitera d'éventuels temps d'arrêt lorsque le cylindre de l'humidificateur arrive en fin de vie.

KIT DE REMPLACEMENT DU CYLINDRE

Numéro de produit :HM750ACYL

Dimensions :Voir la Fig. 27

Contenu de l'emballage

- Cylindre de remplacement

Outils nécessaires

- Tournevis
- Clé réglable
- Pince

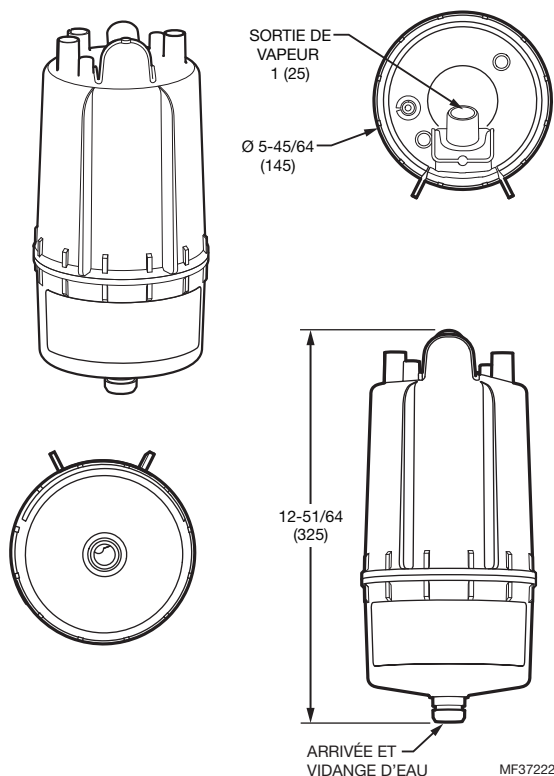


Fig. 27. Mesures en po (mm).

Retrait du cylindre

AVERTISSEMENT

Débranchez la source d'alimentation principale avant d'accéder aux compartiments internes.

L'intérieur du boîtier de l'humidificateur contient des composants et des câblages à haute tension. L'accès doit être limité au seul personnel autorisé.

1. Vidangez le cylindre actuel en appuyant sur le bouton Alimentation/Vidange sur l'avant de l'humidificateur pendant 1 seconde. Laissez l'humidificateur se purger jusqu'à ce qu'il n'y ait plus d'écoulement d'eau par la vidange (généralement pas plus de 10 minutes). L'humidificateur s'éteindra au terme du cycle de vidange.
2. Fermez le robinet d'arrêt d'eau.
3. Coupez l'alimentation de l'humidificateur à l'aide du disjoncteur externe.
4. À l'aide d'un tournevis plat, tournez le verrou sur le couvercle avant de l'humidificateur de 90° dans le sens antihoraire pour le déverrouiller. Faites pivoter la base du couvercle vers l'extérieur de 15 cm, puis soulevez-le pour le retirer.

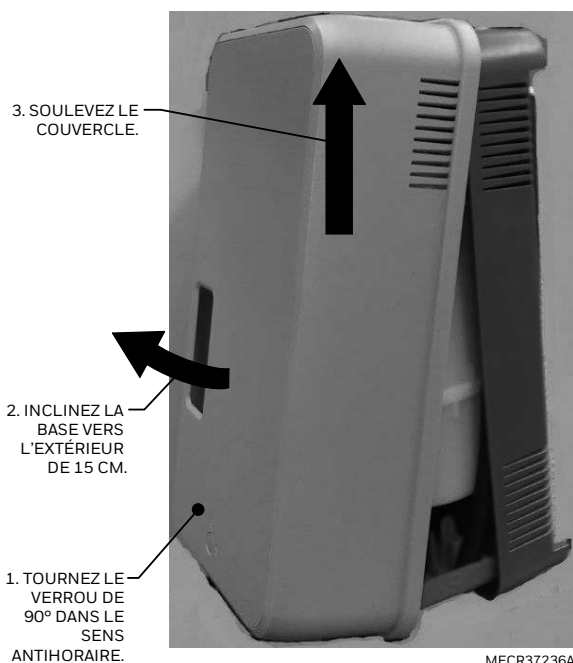


Fig. 28. Retrait du couvercle.

5. Retirez le connecteur du détecteur de niveau d'eau élevé.
6. Retirez les connecteurs haute tension du cylindre des broches du cylindre en les tirant à la verticale.
7. À l'aide d'un tournevis plat ou d'une clé à douille de 5/16 po (7,9 mm), desserrez le collier de serrage le plus proche du cylindre.
8. Tirez le cylindre en l'éloignant du tuyau de vapeur pour le dégager. Lorsqu'il est libéré du tuyau de vapeur, sortez le cylindre en le soulevant.
9. Il est possible qu'il reste un peu d'eau dans le cylindre, même après une vidange complète. Tenez un chiffon à disposition pour absorber l'eau résiduelle.

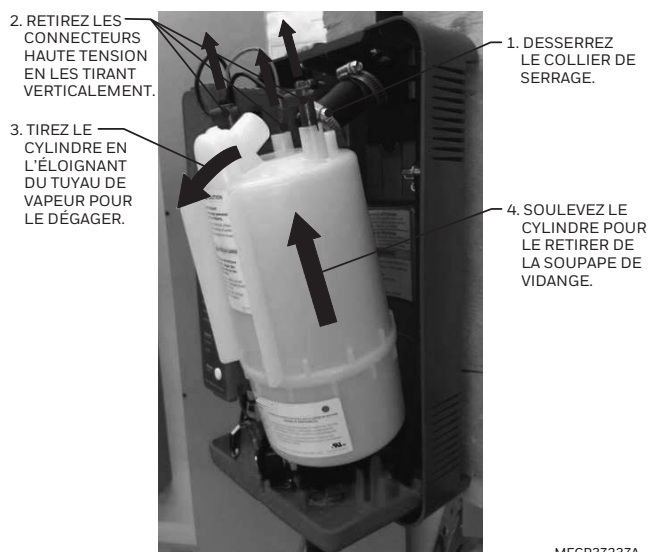


Fig. 29. Retrait du cylindre.

IMPORTANT

Nettoyez toujours la soupape de vidange avant d'installer un nouveau cylindre. Du calcaire présent sur le cylindre usagé peut tomber sur la soupape de vidange et empêcher son bon fonctionnement. Consultez la page 22 pour obtenir des instructions.

10. Installez le nouveau cylindre en suivant les instructions ci-dessus dans l'ordre inverse et en vous assurant que :
 - a. le cylindre est entièrement inséré dans la soupape de vidange;
 - b. le collier de serrage est serré à 1,3 N.m;
 - c. les connecteurs haute tension ont été correctement remis en place.

Retrait de la soupape de vidange (pour nettoyage ou remplacement)

Nettoyez toujours la soupape de vidange avant d'installer un nouveau cylindre. Du calcaire présent sur le cylindre usagé peut tomber sur la soupape de vidange et empêcher son bon fonctionnement. Pour nettoyer correctement la soupape de vidange, vous devez la retirer et la démonter.

AVERTISSEMENT

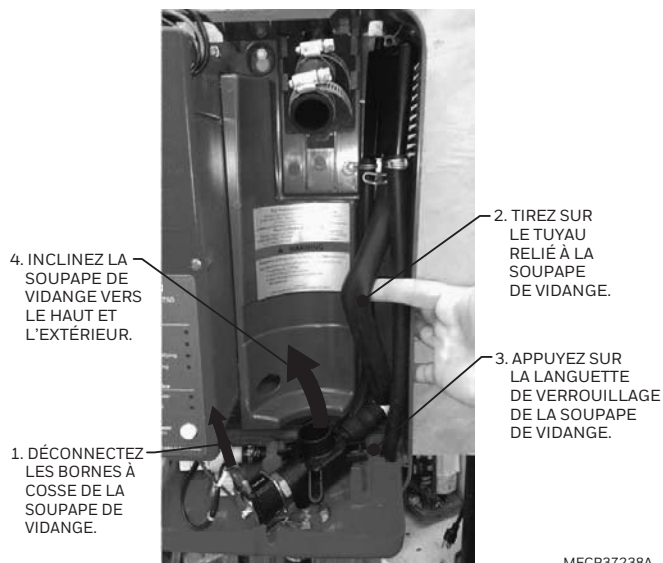
Débranchez la source d'alimentation principale avant d'accéder aux compartiments internes.

L'intérieur du boîtier de l'humidificateur contient des composants et des câblages à haute tension. L'accès doit être limité au seul personnel autorisé.

REMARQUE : Si le cylindre n'a pas encore été retiré, suivez les instructions à la page 21.

1. Déconnectez les bornes à cosse de la soupape de vidange.
2. Maintenez le tuyau connecté à la soupape de vidange et tirez vers l'avant tout en appuyant sur la languette de verrouillage de la soupape de vidange pour dégager le corps de la soupape de son montage. Voir la Fig. 30.
3. Débranchez le tuyau de la soupape de vidange en tirant dessus. Une fois la soupape dégagée de l'humidificateur, vous pouvez la démonter et la nettoyer.
4. Sur un établi ou une surface de travail adéquate, retirez tout d'abord le solénoïde de la soupape de vidange à l'aide d'un tournevis cruciforme. Voir la Fig. 31.
5. Retirez le solénoïde du noyau.
6. À l'aide d'une clé réglable, dévissez le noyau du corps de la soupape de vidange dans le sens antihoraire.
7. Retirez délicatement l'assemblage du noyau (qui comprend le poussoir et le ressort de rappel) du corps de la soupape d'évacuation en plastique. Vous pouvez nettoyer le joint du poussoir (butée en caoutchouc) à l'aide d'une brosse en plastique

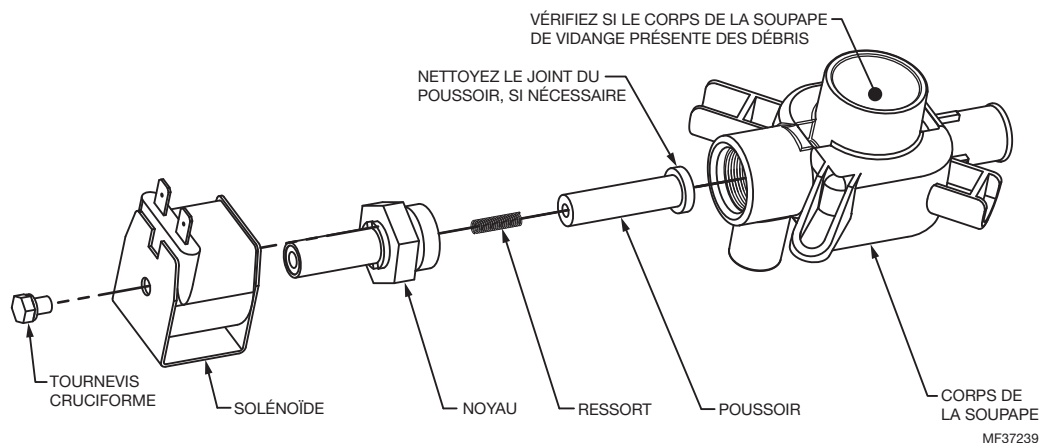
(brosse à dents) ou d'un chiffon humide. N'utilisez PAS de brosse métallique ou d'agents de nettoyage chimiques car la pièce risquerait d'être endommagée.



MF37238A

Fig. 30. Retrait de la soupape de vidange.

8. Rincez le corps de la soupape à l'eau froide pour éliminer les éventuels débris internes.
9. Une fois que la soupape est propre, remontez-la en suivant la procédure ci-dessus dans l'ordre inverse. Lorsque vous remettez le noyau sur le corps de la soupape de vidange, ne serrez PAS de manière excessive. Serrez le noyau sur le corps de la soupape de vidange à la main. Une fois le noyau entièrement serré à la main, serrez d'un quart de tour supplémentaire à l'aide d'une clé réglable.
10. Réinstallez la soupape de vidange dans l'ordre inverse de son retrait. Assurez-vous de remettre le tuyau connecté à la soupape de vidange en position dans le boîtier de façon à ce qu'il n'interfère pas avec la réinstallation du cylindre.



MF37239

Fig. 31. Composants de la soupape de vidange.

Nettoyage du filtre de la soupape d'arrivée

En fonction de la qualité de l'eau, un nettoyage régulier du filtre de la soupape de remplissage peut se révéler nécessaire. Cette opération peut être réalisée sans retirer la soupape de l'humidificateur.

AVERTISSEMENT

Débranchez la source d'alimentation principale avant d'accéder aux compartiments internes.

L'intérieur du boîtier de l'humidificateur contient des composants et des câblages à haute tension. L'accès doit être limité au seul personnel autorisé.

1. Coupez l'alimentation de l'humidificateur à l'aide du disjoncteur externe.
2. Fermez le robinet d'arrêt d'eau.
3. À l'aide d'une clé réglable, retirez le raccord rapide de la soupape d'arrivée. Tenez un chiffon à disposition pour absorber l'eau résiduelle dans la ligne d'alimentation.
4. Utilisez une pince demi-ronde pour saisir le filtre de la soupape d'arrivée et le retirer.
5. Nettoyez le filtre avec de l'eau et une brosse en plastique (brosse à dents), si nécessaire. N'utilisez pas de savon ou de produits chimiques agressifs car ceux-ci pourraient être transportés à l'intérieur du cylindre au redémarrage de l'humidificateur.
6. Remplacez le filtre dans la soupape d'arrivée.
7. Rebranchez le raccord rapide, serrez-le à la main, puis serrez d'un quart de tour supplémentaire à l'aide de la clé réglable.
8. Activez l'alimentation en eau de l'humidificateur. Vérifiez s'il y a des fuites.
9. Mettez l'humidificateur sous tension au niveau du disjoncteur externe.
10. Appuyez sur le bouton Power/Drain (Alimentation/Vidange) pendant 1 seconde. L'humidificateur effectue une courte séquence d'autodiagnostic avant de reprendre son fonctionnement normal.

REPLACEMENT DU PANNEAU DE COMMANDE

Le panneau de commande contrôle tous les aspects du fonctionnement de l'humidificateur. Il est possible de remplacer le panneau de commande s'il est endommagé et/ou présente un dysfonctionnement. Le panneau de commande est configuré en usine et ne nécessite aucun étalonnage particulier en dehors de la sélection de la tension secteur correcte (120 V c.a. ou 240 V c.a.) fournie à l'humidificateur. Ce produit est livré dans un emballage antistatique conçu pour protéger les pièces électroniques du panneau contre toute décharge statique.

CAUTION

Endommagement du panneau de commande

Lors de la manipulation du panneau de commande, assurez-vous d'être relié à la terre. Les décharges statiques pouvant endommager le panneau, manipulez-le avec soin.

Ouverture du compartiment électrique

AVERTISSEMENT

Débranchez la source d'alimentation principale avant d'accéder aux compartiments internes.

L'intérieur du boîtier de l'humidificateur contient des composants et des câblages à haute tension. L'accès doit être limité au seul personnel autorisé.

Pour protéger l'utilisateur et le panneau de commande, celui-ci est monté dans un compartiment électrique rouge.

1. Coupez l'alimentation principale au niveau du disjoncteur externe.
2. À l'aide d'un tournevis plat, tournez le verrou sur le couvercle avant de l'humidificateur de 90° dans le sens antihoraire pour le déverrouiller. Faites pivoter la base du couvercle vers l'extérieur de 15 cm, puis soulevez-le pour le retirer.
3. Utilisez un tournevis plat pour desserrer la vis de retenue du compartiment électrique rouge. Une fois le couvercle libéré, retirez-le.

Retrait du panneau de commande

1. Utilisez un tournevis cruciforme pour desserrer la vis de retenue du panneau de commande. Conservez la vis et la rondelle en plastique (qui protège le panneau de commande) pour le panneau de remplacement.
2. Retirez partiellement le panneau de commande de son emplacement. Utilisez un tournevis cruciforme pour retirer les fils électriques principaux du bornier (coin supérieur droit du panneau). Retirez ensuite les bornes à cosses (fils du cylindre, capteur de niveau d'eau élevé, fil de terre) du panneau. Utilisez une pince, si nécessaire. À mesure que vous débranchez les fils de contrôle, étiquetez-les pour être sûr de les reconnecter correctement. Pour terminer, débranchez le raccordement du bornier des soupapes de remplissage et de vidange.
3. Une fois tous les fils retirés, le panneau de commande sort de son logement protecteur.

Installation du panneau de commande

1. Réglez le cavalier de VOLTAGE SELECTION (sélection de la tension) sur le panneau de commande pour le faire correspondre à la tension fournie à l'humidificateur. Ne partez pas du principe que le cavalier de VOLTAGE SELECTION (sélection de la tension) sur le panneau de commande de remplacement est correctement réglé! Vérifiez toujours avec soin la tension d'alimentation du secteur.
2. Faites glisser partiellement le nouveau panneau de commande dans son logement et rebranchez tous les fils. Référez-vous au schéma du câblage sur l'unité pour obtenir de l'aide. Vérifiez que tous les branchements à cosse sont enfoncés à fond sur leurs languettes électriques et que les fils d'alimentation principale sont bien serrés et pas trop lâches (des raccords lâches entraînent une accumulation de chaleur et un risque d'incendie).
3. Une fois que tous les branchements des fils sont effectués, faites glisser le panneau de commande à fond dans son logement protecteur.

4. Après avoir vérifié que la rondelle en plastique est insérée entre la tête de la vis et le panneau de commande, resserrez la vis de retenue du panneau de commande.
5. Remettez en place le couvercle du compartiment électrique.
6. Remettez en place le couvercle avant de l'humidificateur et tournez la vis de verrouillage de 90° dans le sens horaire pour la verrouiller.
7. Activez l'alimentation du secteur de l'humidificateur au niveau de l'interrupteur externe.
8. Appuyez sur le bouton Power/Drain (Alimentation/Vidange) pendant 1 seconde. L'humidificateur effectue une courte séquence d'autodiagnostic avant de reprendre son fonctionnement normal.

10. Suivez les étapes ci-dessus dans l'ordre inverse pour installer la nouvelle soupape d'arrivée.
11. Remettez en place le couvercle avant de l'humidificateur et tournez la vis de verrouillage de 90° dans le sens horaire pour la verrouiller.
12. Activez l'alimentation secteur de l'humidificateur au niveau de l'interrupteur externe.
13. Appuyez sur le bouton Power/Drain (Alimentation/Vidange) pendant 1 seconde. L'humidificateur effectue une courte séquence d'autodiagnostic avant de reprendre son fonctionnement normal.
14. Vérifiez que les raccordements ne présentent pas de fuites.

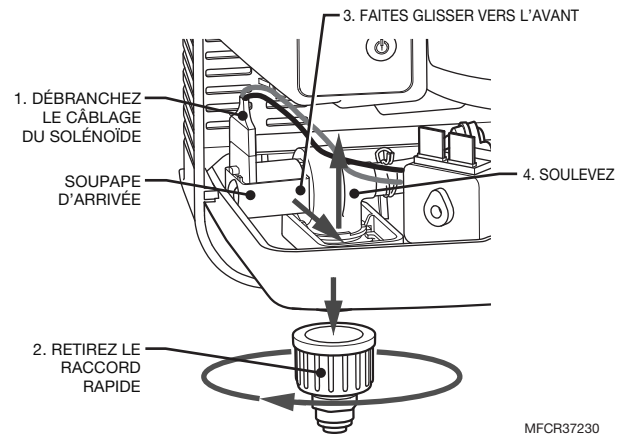
Remplacement de la soupape d'arrivée

AVERTISSEMENT

Débranchez la source d'alimentation principale avant d'accéder aux compartiments internes.

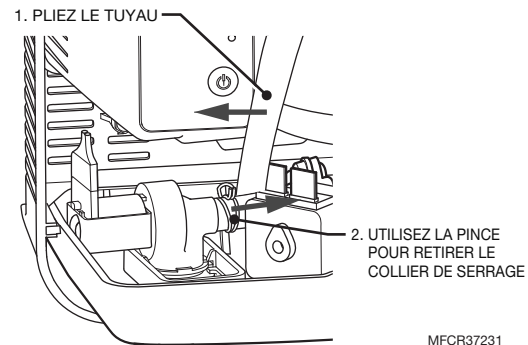
L'intérieur du boîtier de l'humidificateur contient des composants et des câblages à haute tension. L'accès doit être limité au seul personnel autorisé.

1. Vidangez le cylindre en appuyant sur le bouton Power/Drain (Alimentation/Vidange) sur l'avant de l'humidificateur pendant 1 seconde. Laissez l'humidificateur se purger jusqu'à ce qu'il n'y ait plus d'écoulement d'eau par la vidange (généralement pas plus de 10 minutes). L'humidificateur s'éteindra au terme du cycle de vidange.
2. Fermez le robinet d'arrêt d'eau.
3. Coupez l'alimentation de l'humidificateur à l'aide du disjoncteur externe.
4. À l'aide d'un tournevis plat, tournez le verrou sur le couvercle avant de l'humidificateur de 90° dans le sens antihoraire pour le déverrouiller. Faites pivoter la base du couvercle vers l'extérieur de 15 cm, puis soulevez-le pour le retirer.
5. Débranchez le câblage vers le solénoïde. Voir la Fig. 32.
6. Retirez le raccord rapide de la soupape d'arrivée.
7. Saisissez la soupape d'arrivée et tirez-la vers l'avant le plus loin possible.
8. À l'intérieur de l'humidificateur, pliez le tuyau relié à la soupape d'entrée vers le haut comme représenté sur la Fig. 33.
9. À l'aide de la pince, tirez le collier de serrage vers le haut sur le tuyau pour l'éloigner de la soupape et libérer la fixation. Faites glisser le tuyau hors de la soupape. L'eau résiduelle présente dans le tuyau sera déversée. Préparez un chiffon pour l'absorber.



MFCR37230

Fig. 32. Remplacement de la soupape d'arrivée.



MFCR37231

Fig. 33.

DÉPANNAGE



MISE EN GARDE

Risque de haute tension

Lors des opérations de dépannage, gardez à l'esprit que l'humidificateur est alimenté par une haute tension et qu'il est recommandé de maîtriser les bonnes pratiques et le câblage de l'humidificateur. Toute opération de dépannage nécessitant d'ouvrir le boîtier doit être effectuée par du personnel qualifié.



MISE EN GARDE

Risque de brûlure

L'eau ou la vapeur chaude d'une température supérieure à 49 °C (120 °F) peut provoquer des brûlures.

REMARQUE :

La plupart des erreurs de l'humidificateur sont dues non pas à un équipement défectueux mais à une installation incorrecte. Un diagnostic complet des erreurs comprend toujours un examen approfondi de tout le système. Souvent, le branchement du tuyau de vapeur n'a pas été correctement effectué ou l'erreur se situe au niveau du système de contrôle de l'humidité.

EXIGENCES EN MATIÈRE DE DÉPANNAGE

- Vérifiez que l'installation est conforme aux exigences d'installation décrites dans les présentes instructions.
- Familiarisez-vous avec le fonctionnement de l'humidificateur en lisant ces instructions dans leur intégralité.
- Le schéma de câblage propre à votre humidificateur se trouve à l'intérieur du couvercle de l'appareil. Une copie générique du schéma de câblage du HM750 est également fournie à la fin de ce chapitre à des fins de référence.
- Lorsque vous contactez votre représentant local ou Resideo pour obtenir de l'aide pour le dépannage, assurez-vous d'avoir sous la main le numéro de série et la date de fabrication figurant sur l'étiquette sur le côté gauche du boîtier à des fins de référence (Fig. 1).

Tableau 6. Dépannage général.

Symptôme	Cause	Mesure(s) corrective(s)
L'humidificateur ne semble pas alimenté en électricité, même lorsque le bouton Power/Drain (Alimentation/Vidange) est enfoncé.	Fusible grillé	Vérifiez le fusible situé à côté du transformateur.
	Tension incorrecte	Comparez la tension à l'étiquette des spécifications et corrigez-la.
	Le transformateur ne produit pas 24 V c.a.	Remplacez la carte de circuits imprimés.
	Cavalier d'alimentation principale incorrect	Vérifiez que le cavalier de sélection de la tension est correctement installé. Si une alimentation de 240 V c.a. a été fournie à l'unité alors que le cavalier de sélection de la tension était réglé sur 120 V c.a., la carte de circuits imprimés doit être remplacée.
L'humidificateur n'humidifie pas ou n'atteint pas le point de consigne d'humidification (% HR).	Bornes de l'humidistat non fermées	Vérifiez la tension.
	Eau de faible conductivité	S'il a été utilisé avec de l'eau de faible conductivité, il peut falloir plusieurs heures au HM750 pour atteindre sa pleine capacité. C'est normal. Pendant ce temps, l'humidificateur n'effectue aucune vidange et la conductivité de l'eau dans le cylindre augmente. L'unité ne fonctionne pas avec de l'eau traitée par osmose inverse ou de l'eau déionisée. Assurez-vous d'utiliser de l'eau du robinet. Remarque : Les nouveaux cylindres de l'humidificateur sont livrés avec une tablette de sel à l'intérieur.
	Absence de débit d'air dans le conduit	Vérifiez que les bornes AP du panneau de commande sont correctement câblées et ferment la chaîne de 24 V c.a.
L'humidificateur est en état d'erreur et le voyant DEL Fault (Défaut) rouge clignote.	Détection d'une condition anormale par le logiciel	Consultez l'étiquette des codes d'erreur sur le couvercle intérieur du HM750 ou reportez-vous au Table 7 on page 26.
La buse de distribution crache de l'eau dans le conduit.	INSTALLATION DU CONDUIT : échec de l'ouverture de la soupape de remplissage	Vérifiez que la soupape de remplissage n'a pas connu une défaillance à l'état ouvert. Si c'est le cas, le débit d'eau à l'intérieur du cylindre dépassera le niveau du capteur de niveau d'eau élevé pour atteindre le niveau de débordement du godet de remplissage (niveau maximum). L'eau risque alors de passer dans la buse de distribution et d'être « recrachée » dans le conduit.
	INSTALLATION À DISTANCE : génération de condensation	Vérifiez que la buse est orientée correctement et que la pente de la ligne de vapeur est correcte en vous référant aux consignes des présentes instructions d'installation.

Erreurs du HM750

Le système d'autodiagnostic intégré au HM750 surveille en continu le fonctionnement de l'humidificateur. Lorsqu'une condition anormale survient et qu'elle ne peut pas être corrigée automatiquement par le logiciel, le HM750 coupe l'alimentation du cylindre, vidange celui-ci et annonce l'erreur à l'aide des voyants DEL **Service** jaunes.

Séquence de clignotement des voyants DEL

Pour faire la distinction entre les différentes conditions d'erreur, le voyant DEL **Fault** (Défaut) rouge clignote selon des séquences différentes. Le tableau ci-dessous

répertorie les séquences d'erreur qui peuvent s'afficher, leur signification, la ou les causes possibles et les mesures correctives suggérées.

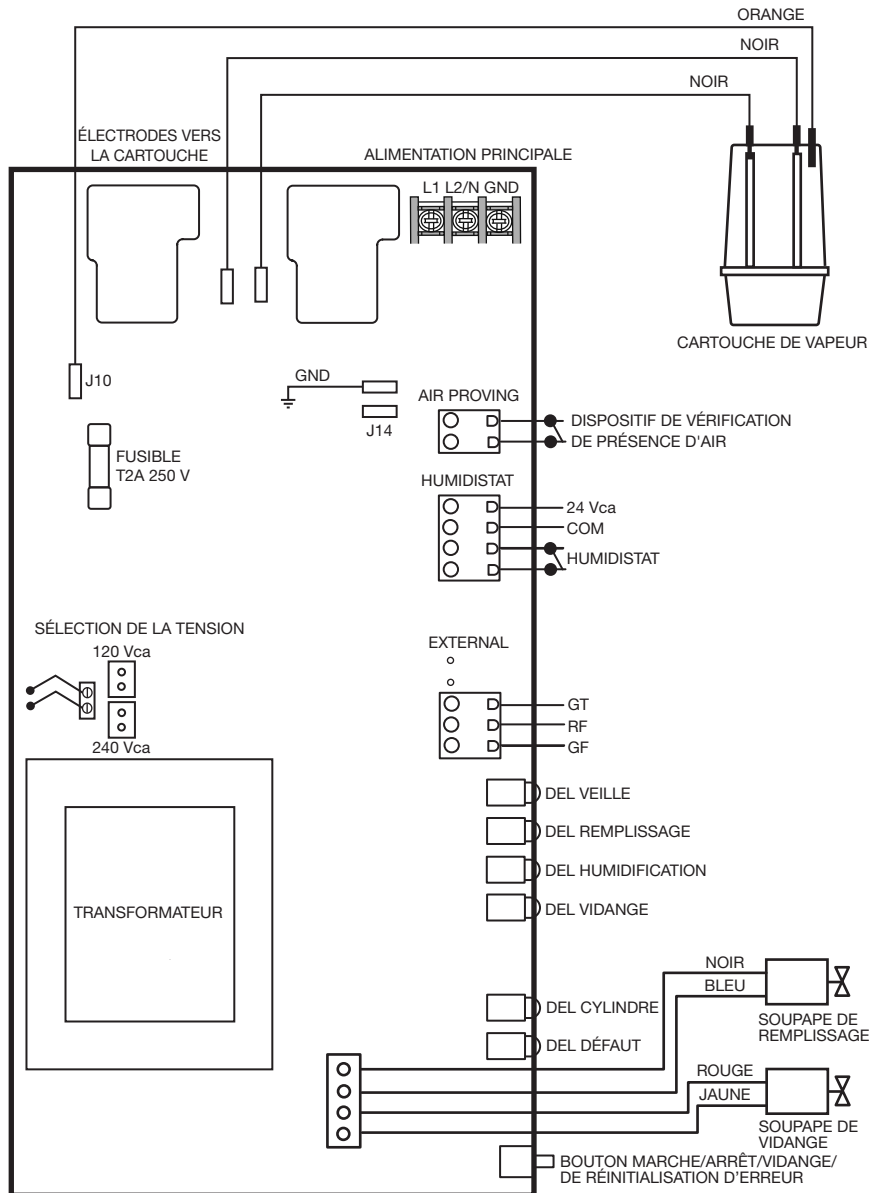
Annulation d'une erreur

- Vérifiez la séquence de clignotement avec la liste de messages d'erreur et prenez les mesures nécessaires pour corriger la ou les causes décrites dans le tableau ci-dessous.
- Appuyez sur le bouton **Power/Drain** (Alimentation/Vidange) pendant 5 secondes. L'humidificateur démarre la vidange et s'éteint une fois celle-ci terminée. Appuyez de nouveau sur le bouton **Power/Drain** (Alimentation/Vidange) pour remettre l'humidificateur sous tension. L'humidificateur effectue un démarrage normal comme s'il s'agissait de la première mise sous tension.

Tableau 7. Dépannage des erreurs du HM750.

Voyant DEL Service	Symptôme	Cause	Mesure(s) corrective(s)
Cylindre clignotant	Cylindre proche de sa fin de vie	Fonctionnement normal	Aucune
Cylindre fixe	Cylindre en fin de vie	Fonctionnement normal	Remplacez le cylindre.
Fault (Défaut) 1 clignotement	Courant excessif Le courant a dépassé 130 % du courant max	Vidange bloquée, concentration excessive de l'eau	Nettoyez la ligne de vidange.
		Solénoïde de la vidange non alimentée, concentration excessive de l'eau	Vérifiez le câblage vers la soupape d'évacuation et corrigez-le.
		Remplissage trop rapide, soupape de remplissage incorrecte	Il est possible que la soupape de remplissage soit défectueuse – remplacez-la si nécessaire.
		Conductivité de l'alimentation en eau trop élevée	Vérifiez si la conductivité de l'alimentation en eau respecte les spécifications de 125-1 200 µS/cm (microsiemens/cm).
		Cylindre usagé, mais état non détecté par le logiciel	Vérifiez s'il n'y a pas trop de calcaire sur le cylindre.
		Contre-pression	Éliminez la contre-pression en vérifiant que la ligne de vapeur ne présente pas de points bas (où la condensation risque de s'accumuler) ou de déformations.
Fault (Défaut) 2 clignotements	Erreur de remplissage/vidange	Fuite de la soupape de vidange ou soupape bloquée en position ouverte	Nettoyez la soupape de vidange ou remplacez-la.
		Robinet d'arrêt d'eau fermé	Ouvrez le robinet d'arrêt.
		Contre-pression élevée du système	Éliminez la contre-pression en vérifiant que la ligne de vapeur ne présente pas de points bas (où la condensation risque de s'accumuler) ou de déformations.
		Capteur de niveau d'eau élevé non connecté	Vérifiez que le connecteur haute tension muni du câble orange est relié entre l'électrode courte du cylindre avec enveloppe en plastique et le panneau de commande.
		Faible conductivité de l'eau	<ol style="list-style-type: none"> Vérifiez si l'unité est alimentée en eau potable et non en eau traitée (par osmose inverse ou déionisée). Vérifiez la conductivité de l'eau. Si elle est inférieure à 150 µS, ajoutez 1/4 de cuiller à café de sel dans le cylindre et redémarrez l'unité.

Voyant DEL Service	Symptôme	Cause	Mesure(s) corrective(s)
Fault (Défaut) 3 clignotements	Courant insuffisant Soupape de remplissage activée depuis un long moment, mais niveau d'eau élevé non atteint. La vitesse de remplissage doit être supérieure à 25 mm par minute.	Conncteurs du cylindre installés incorrectement	Vérifiez que les connecteurs haute tension sont insérés à fond sur le cylindre.
		Filtre d'arrivée de la soupape de remplissage obstrué	Vérifiez le filtre d'arrivée de la soupape de remplissage et nettoyez-le si nécessaire.
Fault (Défaut) 4 clignotements	Erreur de la carte de circuits imprimés	Détection d'un appel de courant par le panneau de commande lorsque l'humidificateur est en mode veille	Remplacez la carte de circuits imprimés.
Fault (Défaut) 5 clignotements	Sélection de la tension incorrecte	Cavalier de SÉLECTION DE LA TENSION sur le panneau de commande mal réglé	Si une alimentation de 240 V c.a. est fournie à l'humidificateur alors que le cavalier de SÉLECTION DE LA TENSION est réglé sur 120 V c.a., la carte de circuits imprimés connaîtra une défaillance et devra être remplacée. Si une alimentation de 120 V c.a. est fournie à l'humidificateur alors que le cavalier de SÉLECTION DE LA TENSION est réglé sur 240 V c.a., l'erreur avec séquence de 5 clignotements se produit. Corrigez le cavalier de SÉLECTION DE LA TENSION et redémarrez l'humidificateur.



CODES D'ERREUR

LE NOMBRE DE CLIGNOTEMENTS INDIQUE QUELLE ERREUR EST SURVENUE.
POUR ANNULER LES ERREURS, APPUYEZ SUR LE BOUTON ALIMENTATION
ET MAINTENEZ-LE ENFONCÉ PENDANT CINQ SECONDES.

1. COURANT EXCESSIF
2. ERREUR DE REMPLISSAGE/VIDANGE
3. COURANT INSUFFISANT
4. ERREUR DE LA CARTE DE CIRCUITS IMPRIMÉS
5. SÉLECTION DE LA TENSION INCORRECTE

VOYANT DEL VEILLE CLIGNOTANT - ERREUR DE CONTRÔLE DE LA PRÉSENCE D'AIR
(VÉRIFIEZ QUE LE CONTRÔLE AP EST SATISFAIT OU QUE L'INTERRUPTEUR EST FERMÉ)

MF37217

Fig. 34. Schéma de câblage.

GARANTIE LIMITÉE DE 5 ANS

Resideo garantit ce produit, à l'exception des éléments d'entretien, comme le cylindre, contre toute défectuosité de matériel ou de fabrication dans des conditions normales d'utilisation et d'entretien, pendant une période de cinq (5) ans à compter de la date d'achat initial par l'acheteur d'origine. En cas de défaillance ou de mauvais fonctionnement pendant la période de garantie, Resideo remplacera ou réparera le produit, à sa discrétion.

Si le produit est défectueux

(i) renvoyez-le avec la facture ou une autre preuve d'achat date au lieu d'achat; ou

(ii) appelez le service à la clientèle de Resideo en composant le 1-800-468-1502. Le service à la clientèle déterminera si le produit doit être retourné à l'adresse suivante : Resideo Return Goods, Dock 4MN10-3860, 1985 Douglas Dr. N., Golden Valley, MN 55422, ou si un produit de remplacement peut vous être expédié.

La présente garantie ne couvre pas les frais de retrait ou de réinstallation. La présente garantie ne s'applique pas s'il est démontré par Resideo que la défaillance ou le mauvais fonctionnement sont dus à un endommagement du produit alors que le consommateur l'avait en sa possession.

La responsabilité exclusive de Resideo se limite à réparer ou à remplacer le produit conformément aux modalités susmentionnées. RESIDEO N'EST EN AUCUN CAS RESPONSABLE DES PERTES OU DOMMAGES, Y COMPRIS LES DOMMAGES INDIRECTS OU ACCESSOIRES DÉCOULANT DIRECTEMENT OU INDIRECTEMENT D'UNE VIOLATION QUELCONQUE D'UNE GARANTIE, EXPRESSE OU TACITE, APPLICABLE AU PRÉSENT PRODUIT, OU TOUTE AUTRE DÉFAILLANCE DU PRÉSENT PRODUIT. Certaines provinces ne permettent pas l'exclusion ou la restriction des dommages indirects ou accessoires et, par conséquent, la présente restriction peut ne pas s'appliquer.

CETTE GARANTIE EST LA SEULE GARANTIE EXPRESSE FAITE PAR RESIDEO POUR CE PRODUIT. LA DURÉE DE TOUTE GARANTIE IMPLICITE, INCLUANT LES GARANTIES DE QUALITÉ MARCHANDE OU D'ADAPTATION À UNE UTILISATION PARTICULIÈRE, EST LIMITÉE PAR LES PRÉSENTES À LA PÉRIODE À CINQ ANNÉES DE LA PRÉSENTE GARANTIE. Certaines provinces ne permettent pas de limiter la durée des garanties tacites et, par conséquent, la présente limitation peut ne pas s'appliquer.

La présente garantie donne au consommateur des droits spécifiques et certains autres droits qui peuvent varier d'une province à l'autre.

Pour toute question concernant la présente garantie, prière d'écrire aux Services à la clientèle de Resideo à l'adresse suivante : Resideo Customer Relations, 1985 Douglas Dr, Golden Valley, MN 55422 ou composer le 1-800-633-3991.

IMPORTANT

Pour maintenir la garantie, utilisez des pièces et des cylindres approuvés par Resideo avec ce produit.

Le produit ne devrait pas être jeté aux ordures ménagères. Adressez-vous au centre de collecte ou de récupération autorisé le plus près. L'élimination appropriée de l'équipement en fin de vie aidera à prévenir les conséquences négatives potentielles sur l'environnement et la santé.

HM750A1000

HM750A1000



www.resideo.com

Resideo Technologies, Inc.
1985 Douglas Drive North, Golden Valley, MN 55422
1-800-468-1502
33-00289EF-05 M.S. Rev. 04-21 | Printed in United States

© 2021 Resideo Technologies, Inc. All rights reserved.
The Honeywell Home trademark is used under license from Honeywell International, Inc. This product is manufactured by Resideo Technologies, Inc. and its affiliates.
Tous droits réservés. La marque de commerce Honeywell Home est utilisée avec l'autorisation d'Honeywell International, Inc. Ce produit est fabriqué par Resideo Technologies, Inc. et ses sociétés affiliées.