

Copeland™ Single Phase Compressor Models

TONNAGE	CR6/5 Ton	CRKQ	CR7	CR1,2,3	CRKF	CRKH	ZRK5/K3
1.5T	CR14K6-PFV		CR14K7-PFV				ZR16K5-PFV
	CR16K6-PFV	CR16KQ-PFV	CR16K7-PFV	CRZ4-0150-PFV	CR16KF-PFV		
	CR16K6-PFJ			CRZ4-0150-PFJ			
	CR18K6-PFV	CR18KQ-PFV	CR18K7-PFV	CRA1-0150-PFV	CR18KF-PFV	CR18KH-PFV	ZR18K5-PFV
	CR18K6-PFJ			CRA4-0150-PFV CRA1-0150-PFJ CRB1-0175-PFJ			
2T	CR20K6-PFV	CR20KQ-PFV	CR19K7-PFV	CRB1-0175-PFV CRB4-0175-PFV	CR20KF-PFV	CR20KH-PFV	ZR21K5-PFV
	CR22K6-PFV	CR22KQ-PFV	CR21K7-PFV CR23K7-PFV	CRC1-0175-PFV CRC4-0175-PFV	CR22KF-PFV		ZR21K5-PFJ
	CR22K6-PFJ			CRC1-0175-PFJ			ZR25K5-PFV
	CR24K6-PFV	CR24KQ-PFV	CR24K7-PFV	CRD1-0200-PFV CRD4-0200-PFV	CR24KF-PFV CR26KF-PFV		ZR25K5-PFJ
	CR24K6-PFJ			CRD1-0200-PFJ			ZR28K5-PFV
	CR28K6-PFV	CR28KQ-PFV	CR28K7-PFV	CRE2-0225-PFV CRE4-0225-PFV	CR28KF-PFV		ZR28K5-PFJ
	CR28K6-PFJ			CRE2-0225-PFJ			ZR28K5-PFV
	CR30K6-PFV	CR30KQ-PFV		CRF2-0250-PFV CRF4-0250-PFV	CR30KF-PFV		ZR28K5-PFJ
CR30K6-PFJ			CRF2-0250-PFJ			ZR32K5-PFV	
3T	CR32K6-PFV	CR32KQ-PFV CR33KQ-PFV	CR31K7-PFV	CRG3-0250-PFV	CR32KF-PFV CR33KF-PFV		ZR32K5-PFJ
	CR32K6-PFJ			CRG3-0250-PFJ CRH3-0275-PFJ			ZR32K5-PFV
	CR34K6-PFV	CR34KQ-PFV		CRH3-0275-PFV	CR34KF-PFV		ZR38K5-PFV
	CR35K6-PFV	CR36KQ-PFV	CR35K7-PFV	CRI3-0290-PFV	CR35KF-PFV		ZR38K5-PFJ
	CR38K6-PFV	CR37KQ-PFV		CRJ3-0300-PFV CRJ3-0300-PFJ			ZR42K5-PFV
	CR42K6-PFV	CR41KQ-PFV CRKQ-0325-PFV		CRK3-0325-PFV			ZR42K5-PFJ
		CRKQ-0325-PFJ		CRK3-0325-PFJ			ZR48K5-PFV
4T		CR47KQ-PFV		CRL3-0350-PFV CRL3-0350-PFJ		ZR48K5-PFJ	
4.5T	CRT5-0450-PFV	CR53KQ-PFV		CRM3-0400-PFV		ZR54K5-PFV	
5T	CRP5-0450-PFV						ZR57K3-PFV
	CRN5-0500-PFV						ZR61K3-PFV

Code	Hz-Phase-Volts
PFV	60-1-208/230
PFJ	60-1-265
TF5	60-3-200/230
TFD	60-3-460
TFE	60-3-575

Single Phase

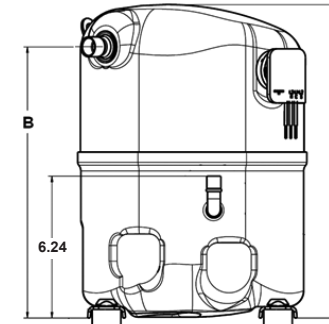
TONNAGE	CR6/5 Ton	BRISTOL	TECUMSEH	CARLYLE	DANFOSS	ZRK5/K3		
3T	CR32K6-PFJ		AWA5532EXV			ZR32K5-PFJ		
			AWB5532EXV					
			AWF5532EVA					
			AWF5533EVA					
			AWJ5532EVA					
	CR34K6-PFV		H20A353	AH34X13	J*36		ZR32K5-PFV	
			H20J353ABC	AH5534E				
			H21J343ABC	AH8539E				
			H21J34BABC	AV5533F				
			H22A353	AV5535E				
			H23A35QABC	AV5535G				
			H25B34EABC	AVB5533EXN				
			H29B33UABC	AVD5533EXN				
			T27B355CBC	AWF5533EXN				
			CR35K6-PFV					H21A343
	H21J363ABC	AV5535F				R*35		
	H21J36BABC	AV5535H						
	H23A353ABC	AVA5535EXN						
	H23B35SABC	AVB5535EXN						
	H25A35QCBC	AVC5535EXN						
	H25B35QABC	AVD5535EXN						
	H26A35QCBC	JE300						
	H27A35QCBC	TVA5535EXN						
	H27B35QCBC	TVB5535EXN						
	H29A353CBC							
	H29B35UABC							
	H2EA363							
	CR38K6-PFV		H20A403	AH40X15		J*39	MT036-1	ZR38K5-PFV
			H20J383ABC	AH5540E	M*40			
			H21A373	AV5538E	R*39			
			H21A373ABC	AV5538F				
			H21J383ABC	AV5538G				
			H21J38BABC	AV5538H				
			H22A383	AVA5538EXN				
			H23A36QABC	AVB5538EXN				
			H23A383ABC	AVC5538EXN				
H24A383ABC			AVD5538EXN					
H25A38QCBC			CL30Y14					

Code	Hz-Phase-Volts
PFV	60-1-208/230
PFJ	60-1-265
TF5	60-3-200/230
TFD	60-3-460
TFE	60-3-575

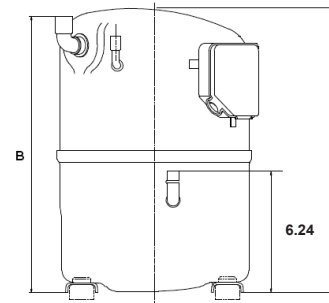
Copeland™ CR Service Compressor Specification Chart

Model	ARI Capacity Btu/hr	RLA Amps (TF5/TFD)	Run Cap MFD / Volts	Low Torque Start Cap.* (Low-High / Volts)	High Torque Start Cap.* (Low-High / Volts)	Relay P/N	Start Kit	Height Inches (A)	Suction Height Inches (B)	Weight Lbs.
CR14K6-PFV	14450	6.9	35/370	43-52/330	145-175/250	040-0166-15	514-2000-21	13.05	11.2	64
CR16K6-PFV	16300	9.6	25/370	43-52/330	189-227/220	040-0166-15	514-2000-16	13.19	11.26	61
CR16K6-PFJ	16300	9	25/370	43-52/250	88-106/330	040-0166-15	514-2000-15	13.19	11.26	61
CR18K6-PFV	18000	10.4	25/370	43-52/330	145-175/250	040-0166-15	514-2000-16	13.19	11.26	61
CR18K6-PFJ	18000	9.1	25/440	43-52/250	88-106/330	040-0166-15	514-2000-17	13.19	11.26	61
CR18K6-TF5	17600	6.1	N/A	N/A	N/A	N/A	N/A	13.19	11.26	61
CR18K6-TFD	17700	3.07	N/A	N/A	N/A	N/A	N/A	13.19	11.26	61
CR20K6-PFV	19600	10.7	30/370	43-52/330	145-175/220	040-0166-19	514-2000-18	13.19	11.26	61
CR22K6-PFV	22100	10.9	30/370	43-52/330	145-175/220	040-0166-19	514-2000-18	13.19	11.26	61
CR22K6-PFJ	22100	9.9	30/440	43-52/330	130-156/330	040-0166-15	514-2000-19	13.19	11.26	62
CR22K6-TF5/D	22000	7.5/3.9	N/A	N/A	N/A	N/A	N/A	13.31	11.38	59
CR24K6-PFV	24500	12.4	35/370	43-52/330	145-175/250	040-0166-15	514-2000-21	13.44	11.51	63
CR24K6-PFJ	24500	10.9	35/440	64-77/250	108-130/250	040-0166-19	514-2000-20	13.44	11.51	63
CR24K6-TF5/D	24000	7.7/4	N/A	N/A	N/A	N/A	N/A	13.44	11.51	60
CR28K6-PFV	28200	15.3	35/370	43-52/330	145-175/220	040-0166-19	514-2000-25	13.56	11.63	64
CR28K6-PFJ	28200	13.9	35/440	64-77/330	130-156/250	040-0166-15	514-2000-24	13.56	11.63	64
CR28K6-TF5/D	28100	10/4.8	N/A	N/A	N/A	N/A	N/A	13.56	11.63	61
CR30K6-PFV	30000	16	35/370	43-52/330	145-175/250	040-0166-15	514-2000-21	13.81	11.88	66
CR30K6-PFJ	30000	13.6	40/440	43-52/330	145-175/250	040-0166-15	514-2000-27	13.81	11.88	66
CR30K6-TF5/D	29800	10.4/4.9	N/A	N/A	N/A	N/A	N/A	13.81	11.88	63
CR32K6-PFV	32000	16.1	35/440	43-52/330	145-175/250	040-0166-14	514-2000-29	13.81	11.88	66
CR32K6-PFJ	32000	15	35/440	43-52/330	145-175/250	040-0166-14	514-2000-29	13.81	11.88	66
CR32K6-TF5/D	31900	10/5.1	N/A	N/A	N/A	N/A	N/A	13.81	11.88	63
CR32K6-TFE	31900	3.8	N/A	N/A	N/A	N/A	N/A	13.81	11.88	63
CR34K6-PFV	34500	16.6	50/370	64-77/330	189-227/330	040-0166-15	514-2000-31	14.06	12.13	67
CR35K6-PFV	35000	18	40/370	64-77/330	189-227/330	040-0166-15	514-2000-32	14.06	12.13	67
CR35K6-TF5/D	34900	11.4/4.8	N/A	N/A	N/A	N/A	N/A	14.06	12.13	65
CR35K6-TFE	34900	4.1	N/A	N/A	N/A	N/A	N/A	14.06	12.13	65
CR38K6-PFV	38200	19	40/440	72-86/330	189-227/330	040-0166-19	514-2000-47	14.31	12.38	70
CR38K6-TF5/D	37900	11.9/5.9	N/A	N/A	N/A	N/A	N/A	14.31	12.38	67
CR38K6-TFE	37900	4.8	N/A	N/A	N/A	N/A	N/A	14.31	12.38	67
CR42K6-PFV	41900	20.4	40/440	64-77/330	189-227/330	040-0166-27	514-2000-35	14.56	12.63	74
CR42K6-TF5/D	41700	14/6.4	N/A	N/A	N/A	N/A	N/A	14.56	12.63	69
CR42K6-TFE	41700	5.2	N/A	N/A	N/A	N/A	N/A	14.56	12.63	69
CR47KQ-PFV	47500	24.6	45/440	64-77/330	189-227/330	040-0166-18	514-2000-12	14.81	14.68	77
CR47KQ-TF5/D	47200	16/8.2	N/A	N/A	N/A	N/A	N/A	14.81	14.68	77
CR47KQ-TFE	pending	pending	N/A	N/A	N/A	N/A	N/A	pending	pending	pending
CR53KQ-PFV	53300	29	60/440	64-77/330	189-227/330	040-0166-18	514-2000-13	14.81	14.68	77
CR53KQ-TF5/D	53200	18/9.1	N/A	N/A	N/A	N/A	N/A	14.81	14.68	77
CR53KQ-TFE	pending	pending	N/A	N/A	N/A	N/A	N/A	pending	pending	pending
CRT5-0450-PFV	54100	30.7	45/440	64-77/330	189-227/330	040-0166-27	514-2000-14	15.88	15.5	84
CRP5-0450-PFV	58400	30.7	45/440	64-77/330	189-227/330	040-0166-27	514-2000-14	15.88	15.5	87
CRT5-0450-TF5/D	54800	19.6/10.4	N/A	N/A	N/A	N/A	N/A	15.88	15.5	84
CRT5-0450-TFE	54800	7	N/A	N/A	N/A	N/A	N/A	15.88	15.5	84
CRP5-0450-TF5/D	57000	19.6/10.4	N/A	N/A	N/A	N/A	N/A	15.88	15.5	82
CRP5-0450-TFE	57000	7	N/A	N/A	N/A	N/A	N/A	15.88	15.5	84
CRN5-0500-PFV	60600	34.7	55/440	108-130/330	270-324/330	040-0166-27	514-2000-44	16.12	15.68	91
CRN5-0500-TF5/D	61300	21.4/9.6	N/A	N/A	N/A	N/A	N/A	16.12	15.68	90
CRN5-0500-TFE	61300	7.9	N/A	N/A	N/A	N/A	N/A	16.12	15.68	91

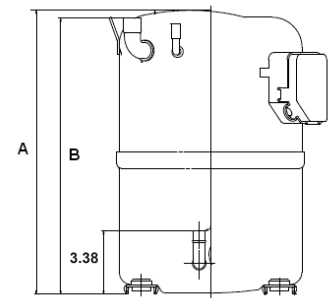
*Low vs High Torque Start Capacitors: Due to differences in OEM system applications, compressors could originally be installed with either start capacitor options listed. When choosing a replacement start capacitor, please select the new replacement capacitor from the "High Torque Start Capacitor" column.



Notes CRK6
 Mounting pattern 7.5"x 7.5"
 Length 10.22" by width 9.65"
 Suction diameter 3/4" straight
 Add 0.28" to height if grommets included
 Discharge height is 6.24"



Notes Large CRKQ
 Mounting pattern 7.5"x 7.5"
 Length 10.62" by width 9.23"
 Suction diameter 7/8" elbow up
 Add 0.28" to height if grommets included
 Discharge height is 6.24"



Notes 5 Ton
 Mounting pattern 7.5"x 7.5"
 Length 11.38" by width 9.38"
 Suction diameter 7/8" elbow up
 Add 0.28" to Height if grommets included
 Discharge height is 3.38"