

Copeland™ Single Phase Compressor Models

TONNAGE	CR6/5 Ton	CRKQ	CR7	CR1,2,3	CRKF	CRKH	ZRK5/K3
1.5T	CR14K6-PFV		CR14K7-PFV				ZR16K5-PFV
	CR16K6-PFV	CR16KQ-PFV	CR16K7-PFV	CRZ4-0150-PFV	CR16KF-PFV		
	CR16K6-PFJ			CRZ4-0150-PFJ			
	CR18K6-PFV	CR18KQ-PFV	CR18K7-PFV	CRA1-0150-PFV	CR18KF-PFV	CR18KH-PFV	ZR18K5-PFV
	CR18K6-PFJ			CRA4-0150-PFV CRA1-0150-PFJ CRB1-0175-PFJ			
2T	CR20K6-PFV	CR20KQ-PFV	CR19K7-PFV	CRB1-0175-PFV CRB4-0175-PFV	CR20KF-PFV	CR20KH-PFV	ZR21K5-PFV
	CR22K6-PFV	CR22KQ-PFV	CR21K7-PFV CR23K7-PFV	CRC1-0175-PFV CRC4-0175-PFV	CR22KF-PFV		ZR21K5-PFJ
	CR22K6-PFJ			CRC1-0175-PFJ			ZR25K5-PFV
	CR24K6-PFV	CR24KQ-PFV	CR24K7-PFV	CRD1-0200-PFV CRD4-0200-PFV	CR24KF-PFV CR26KF-PFV		ZR25K5-PFJ
	CR24K6-PFJ			CRD1-0200-PFJ			ZR28K5-PFV
	CR28K6-PFV	CR28KQ-PFV	CR28K7-PFV	CRE2-0225-PFV CRE4-0225-PFV	CR28KF-PFV		ZR28K5-PFJ
	CR28K6-PFJ			CRE2-0225-PFJ			ZR28K5-PFV
	CR30K6-PFV	CR30KQ-PFV		CRF2-0250-PFV CRF4-0250-PFV	CR30KF-PFV		ZR28K5-PFJ
CR30K6-PFJ			CRF2-0250-PFJ			ZR32K5-PFV	
3T	CR32K6-PFV	CR32KQ-PFV CR33KQ-PFV	CR31K7-PFV	CRG3-0250-PFV	CR32KF-PFV CR33KF-PFV		ZR32K5-PFJ
	CR32K6-PFJ			CRG3-0250-PFJ CRH3-0275-PFJ			ZR32K5-PFV
	CR34K6-PFV	CR34KQ-PFV		CRH3-0275-PFV	CR34KF-PFV		ZR38K5-PFV
	CR35K6-PFV	CR36KQ-PFV	CR35K7-PFV	CRI3-0290-PFV	CR35KF-PFV		ZR38K5-PFJ
	CR38K6-PFV	CR37KQ-PFV		CRJ3-0300-PFV CRJ3-0300-PFJ			ZR42K5-PFV
	CR42K6-PFV	CR41KQ-PFV CRKQ-0325-PFV		CRK3-0325-PFV			ZR42K5-PFJ
		CRKQ-0325-PFJ		CRK3-0325-PFJ			ZR48K5-PFV
4T		CR47KQ-PFV		CRL3-0350-PFV CRL3-0350-PFJ		ZR48K5-PFJ	
4.5T	CRT5-0450-PFV	CR53KQ-PFV		CRM3-0400-PFV		ZR54K5-PFV	
5T	CRP5-0450-PFV						ZR57K3-PFV
	CRN5-0500-PFV						ZR61K3-PFV

Code	Hz-Phase-Volts
PFV	60-1-208/230
PFJ	60-1-265
TF5	60-3-200/230
TFD	60-3-460
TFE	60-3-575

Single Phase

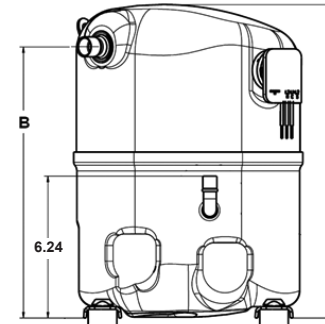
TONNAGE	CR6/5 Ton	BRISTOL	TECUMSEH	CARLYLE	DANFOSS	ZRK5/K3
2T	CR22K6-PFJ		AW5522E			ZR21K5-PFJ
			AW5522F			
			AW5522G			
			AWA5520EXV			
			AWA5522EXV			
			AWB5520EXV			
			AWB5522EXV			
			AWC5520EXV			
			AWC5522EXV			
			AWF5520EVA			
			AWF5522EVA			
			AWG5520EVA			
			AWG5522EVA			
			AWJ5522EVA			
	CR24K6-PFV	H20B263	AB5524G	J*25		ZR25K5-PFV
		H20B263ABC	AB5524H	M*24		
		H20J253ABC	AB5524S	M*27		
		H20J273ABC	AH24P12			
		H21B243	AH24P12V			
		H21J243ABC	AH5524E			
		H21J24BABC	AH5524F			
		H21J253ABC	AH8529E			
		H21J25BABC	AW5524			
		H22B253	AW5524E			
		H23B243ABC	AW5524F			
		H23B24QABC	AW5524G			
		H23B24SABC	AW5524H			
		H24B223ABC	AW5526G			
H24B26QABC	AWA5524EXD					
H25B24QABC	AWB5524EXD					
H26B24QCBC	AWC5524EXD					
H27B24QCBC	AWC5526EXD					
H29B24UABC	AWD5524EXD					
H2EA253	AWF5524EXN					
H2EA253AB	AWG4524EXN					
H2EB26SABC	AWG5524EXN					
T21J265CBC	AWJ5524EXN					
T27B264CBC	B02A					
	B02B					
	B21U18					

Code	Hz-Phase-Volts
PFV	60-1-208/230
PFJ	60-1-265
TF5	60-3-200/230
TFD	60-3-460
TFE	60-3-575

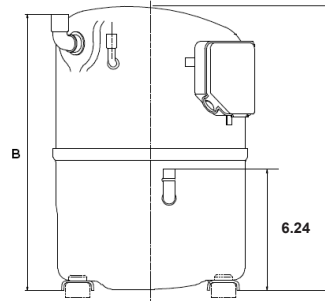
Copeland™ CR Service Compressor Specification Chart

Model	ARI Capacity Btu/hr	RLA Amps (TF5/TFD)	Run Cap MFD / Volts	Low Torque Start Cap.* (Low-High / Volts)	High Torque Start Cap.* (Low-High / Volts)	Relay P/N	Start Kit	Height Inches (A)	Suction Height Inches (B)	Weight Lbs.
CR14K6-PFV	14450	6.9	35/370	43-52/330	145-175/250	040-0166-15	514-2000-21	13.05	11.2	64
CR16K6-PFV	16300	9.6	25/370	43-52/330	189-227/220	040-0166-15	514-2000-16	13.19	11.26	61
CR16K6-PFJ	16300	9	25/370	43-52/250	88-106/330	040-0166-15	514-2000-15	13.19	11.26	61
CR18K6-PFV	18000	10.4	25/370	43-52/330	145-175/250	040-0166-15	514-2000-16	13.19	11.26	61
CR18K6-PFJ	18000	9.1	25/440	43-52/250	88-106/330	040-0166-15	514-2000-17	13.19	11.26	61
CR18K6-TF5	17600	6.1	N/A	N/A	N/A	N/A	N/A	13.19	11.26	61
CR18K6-TFD	17700	3.07	N/A	N/A	N/A	N/A	N/A	13.19	11.26	61
CR20K6-PFV	19600	10.7	30/370	43-52/330	145-175/220	040-0166-19	514-2000-18	13.19	11.26	61
CR22K6-PFV	22100	10.9	30/370	43-52/330	145-175/220	040-0166-19	514-2000-18	13.19	11.26	61
CR22K6-PFJ	22100	9.9	30/440	43-52/330	130-156/330	040-0166-15	514-2000-19	13.19	11.26	62
CR22K6-TF5/D	22000	7.5/3.9	N/A	N/A	N/A	N/A	N/A	13.31	11.38	59
CR24K6-PFV	24500	12.4	35/370	43-52/330	145-175/250	040-0166-15	514-2000-21	13.44	11.51	63
CR24K6-PFJ	24500	10.9	35/440	64-77/250	108-130/250	040-0166-19	514-2000-20	13.44	11.51	63
CR24K6-TF5/D	24000	7.7/4	N/A	N/A	N/A	N/A	N/A	13.44	11.51	60
CR28K6-PFV	28200	15.3	35/370	43-52/330	145-175/220	040-0166-19	514-2000-25	13.56	11.63	64
CR28K6-PFJ	28200	13.9	35/440	64-77/330	130-156/250	040-0166-15	514-2000-24	13.56	11.63	64
CR28K6-TF5/D	28100	10/4.8	N/A	N/A	N/A	N/A	N/A	13.56	11.63	61
CR30K6-PFV	30000	16	35/370	43-52/330	145-175/250	040-0166-15	514-2000-21	13.81	11.88	66
CR30K6-PFJ	30000	13.6	40/440	43-52/330	145-175/250	040-0166-15	514-2000-27	13.81	11.88	66
CR30K6-TF5/D	29800	10.4/4.9	N/A	N/A	N/A	N/A	N/A	13.81	11.88	63
CR32K6-PFV	32000	16.1	35/440	43-52/330	145-175/250	040-0166-14	514-2000-29	13.81	11.88	66
CR32K6-PFJ	32000	15	35/440	43-52/330	145-175/250	040-0166-14	514-2000-29	13.81	11.88	66
CR32K6-TF5/D	31900	10/5.1	N/A	N/A	N/A	N/A	N/A	13.81	11.88	63
CR32K6-TFE	31900	3.8	N/A	N/A	N/A	N/A	N/A	13.81	11.88	63
CR34K6-PFV	34500	16.6	50/370	64-77/330	189-227/330	040-0166-15	514-2000-31	14.06	12.13	67
CR35K6-PFV	35000	18	40/370	64-77/330	189-227/330	040-0166-15	514-2000-32	14.06	12.13	67
CR35K6-TF5/D	34900	11.4/4.8	N/A	N/A	N/A	N/A	N/A	14.06	12.13	65
CR35K6-TFE	34900	4.1	N/A	N/A	N/A	N/A	N/A	14.06	12.13	65
CR38K6-PFV	38200	19	40/440	72-86/330	189-227/330	040-0166-19	514-2000-47	14.31	12.38	70
CR38K6-TF5/D	37900	11.9/5.9	N/A	N/A	N/A	N/A	N/A	14.31	12.38	67
CR38K6-TFE	37900	4.8	N/A	N/A	N/A	N/A	N/A	14.31	12.38	67
CR42K6-PFV	41900	20.4	40/440	64-77/330	189-227/330	040-0166-27	514-2000-35	14.56	12.63	74
CR42K6-TF5/D	41700	14/6.4	N/A	N/A	N/A	N/A	N/A	14.56	12.63	69
CR42K6-TFE	41700	5.2	N/A	N/A	N/A	N/A	N/A	14.56	12.63	69
CR47KQ-PFV	47500	24.6	45/440	64-77/330	189-227/330	040-0166-18	514-2000-12	14.81	14.68	77
CR47KQ-TF5/D	47200	16/8.2	N/A	N/A	N/A	N/A	N/A	14.81	14.68	77
CR47KQ-TFE	pending	pending	N/A	N/A	N/A	N/A	N/A	pending	pending	pending
CR53KQ-PFV	53300	29	60/440	64-77/330	189-227/330	040-0166-18	514-2000-13	14.81	14.68	77
CR53KQ-TF5/D	53200	18/9.1	N/A	N/A	N/A	N/A	N/A	14.81	14.68	77
CR53KQ-TFE	pending	pending	N/A	N/A	N/A	N/A	N/A	pending	pending	pending
CRT5-0450-PFV	54100	30.7	45/440	64-77/330	189-227/330	040-0166-27	514-2000-14	15.88	15.5	84
CRP5-0450-PFV	58400	30.7	45/440	64-77/330	189-227/330	040-0166-27	514-2000-14	15.88	15.5	87
CRT5-0450-TF5/D	54800	19.6/10.4	N/A	N/A	N/A	N/A	N/A	15.88	15.5	84
CRT5-0450-TFE	54800	7	N/A	N/A	N/A	N/A	N/A	15.88	15.5	84
CRP5-0450-TF5/D	57000	19.6/10.4	N/A	N/A	N/A	N/A	N/A	15.88	15.5	82
CRP5-0450-TFE	57000	7	N/A	N/A	N/A	N/A	N/A	15.88	15.5	84
CRN5-0500-PFV	60600	34.7	55/440	108-130/330	270-324/330	040-0166-27	514-2000-44	16.12	15.68	91
CRN5-0500-TF5/D	61300	21.4/9.6	N/A	N/A	N/A	N/A	N/A	16.12	15.68	90
CRN5-0500-TFE	61300	7.9	N/A	N/A	N/A	N/A	N/A	16.12	15.68	91

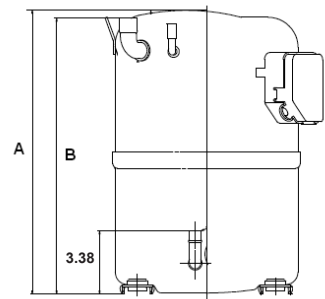
*Low vs High Torque Start Capacitors: Due to differences in OEM system applications, compressors could originally be installed with either start capacitor options listed. When choosing a replacement start capacitor, please select the new replacement capacitor from the "High Torque Start Capacitor" column.



Notes CRK6
 Mounting pattern 7.5"x 7.5"
 Length 10.22" by width 9.65"
 Suction diameter 3/4" straight
 Add 0.28" to height if grommets included
 Discharge height is 6.24"



Notes Large CRKQ
 Mounting pattern 7.5"x 7.5"
 Length 10.62" by width 9.23"
 Suction diameter 7/8" elbow up
 Add 0.28" to height if grommets included
 Discharge height is 6.24"



Notes 5 Ton
 Mounting pattern 7.5"x 7.5"
 Length 11.38" by width 9.38"
 Suction diameter 7/8" elbow up
 Add 0.28" to Height if grommets included
 Discharge height is 3.38"