

KSAIF

KSAIF0101AAA, KSAIF0201AAA, and KSAIF0301AA

Wi-Fi Interface Kit for Ductless Systems

INSTALLATION AND OPERATING INSTRUCTIONS

NOTE: Read and become familiar with these instructions before beginning installation.

TABLE OF CONTENTS

	PAGE
SAFETY CONSIDERATIONS	2
OVERVIEW	4
WIRING SPECIFICATIONS	4

SAFETY CONSIDERATIONS

Installing, starting up, and servicing air-conditioning equipment can be hazardous due to system pressures, electrical components, and equipment location (roofs, elevated structures, etc.).


Only trained, qualified installers and service mechanics should install, start-up, and service this equipment.

Untrained personnel can perform basic maintenance functions such as cleaning coils. All other operations should be performed by trained service personnel.

When working on the equipment, observe precautions in the literature and on tags, stickers, and labels attached to the equipment.

Follow all safety codes. Wear safety glasses and work gloves. Keep quenching cloth and fire extinguisher nearby when brazing. Use care in handling, rigging, and setting bulky equipment.

Read these instructions thoroughly and follow all warnings or cautions included in literature and attached to the unit. Consult local building codes and National Electrical Code (NEC) for special requirements. Recognize safety information.

This is the safety-alert symbol . When you see this symbol on the unit and in instructions or manuals, be alert to the potential for personal injury. Understand these signal words:

DANGER, **WARNING**, and **CAUTION**. These words are used with the safety-alert symbol.

DANGER identifies the most serious hazards which **will** result in severe personal injury or death. **WARNING** signifies hazards which **could** result in personal injury or death.

CAUTION is used to identify unsafe practices which **may** result in minor personal injury or product and property damage. **NOTE** is used to highlight suggestions which **will** result in enhanced installation, reliability, or operation.



WARNING

ELECTRICAL SHOCK HAZARD

Failure to follow this warning could result in personal injury or death.

Before installing, modifying, or servicing system, main electrical disconnect switch must be in the OFF position. There may be more than 1 disconnect switch. Lock out and tag switch with a suitable warning label.



WARNING



EXPLOSION HAZARD

Failure to follow this warning could result in death, serious personal injury, and/or property damage.



CAUTION

EQUIPMENT DAMAGE HAZARD

Failure to follow this caution may result in equipment damage or improper operation.



OVERVIEW

The Wi-Fi Interface kit and downloadable APP allow a mobile device to serve as the controller for a ductless system.

WIRING SPECIFICATIONS

All wiring required to install and commission the Wi-Fi kits are provided with the kit or are already present inside the fan coils. Table 1 outlines each kit and their special setup requirements.

Table 1—Kit Contents

Indoor Unit Type	Kit Part Number	Wi-Fi Dongle	Wi-Fi Translator PCB	USB Intermediate Cable*	Display Box	New Display Board
High Wall Entry Tier 9/12/24K	KSAIF0101AAA		N/R		17222000A21608	N/R
High Wall Entry Tier 18K	KSAIF0201AAA		N/R	17401204002105	17222000A25268	
CBP High Wall Mid Tier	KSAIF0301AAA		17310900000281	N/R	17222000A00767	17222000A07042

N/R – Not Required

*Wire lengths and connector colors may vary from kit to kit.

KSAIF0101AAA, KSAIF0201AAA, and KSAIF0301AAA – High Wall Entry Tier and Mid Tier Kits

Kit Description

These kits require three common additional components for Wi-Fi compatibility. First is the Wi-Fi dongle, second is the USB intermediate cable, and third is a replacement display box. KSAIF0301AAA requires a replacement display board (see Table 1). The display board is required due to CN3 (CN301) is not available on the production board.

Installation Process

1. Remove power from the high wall.
2. Remove the high wall cover from the unit.
3. Remove the display cover.

4. For **KSAIF0301AAA ONLY**, also remove the display board from the high wall and install the kit provided display board.
5. Install the display box provided with the Wi-Fi kit and reconnect both communicating wires from the high wall control board.

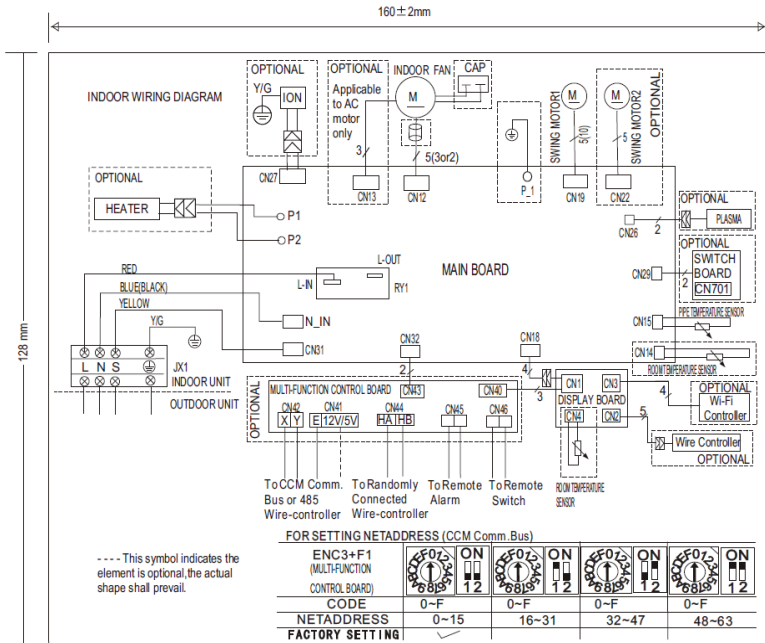


Fig. 1 – 115V Entry Tier High Wall ONLY

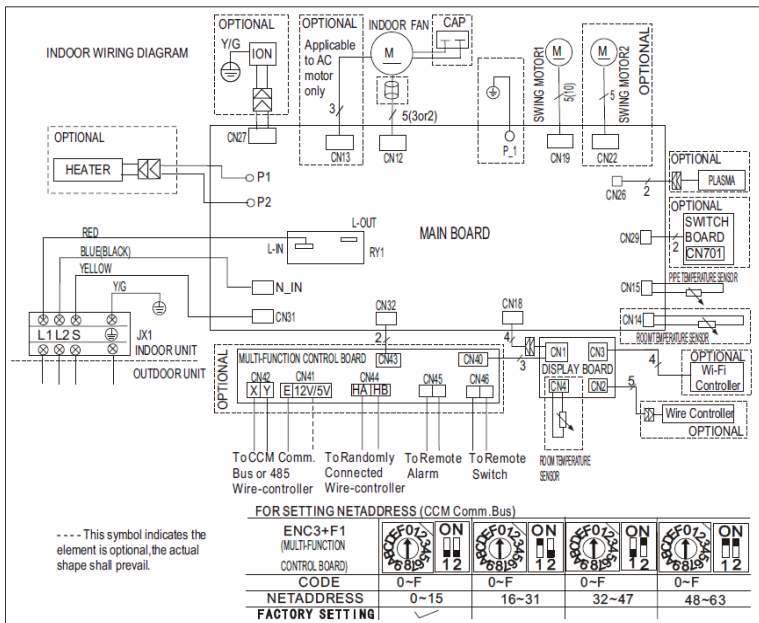


Fig. 2 – 230V Entry Tier High Wall ONLY

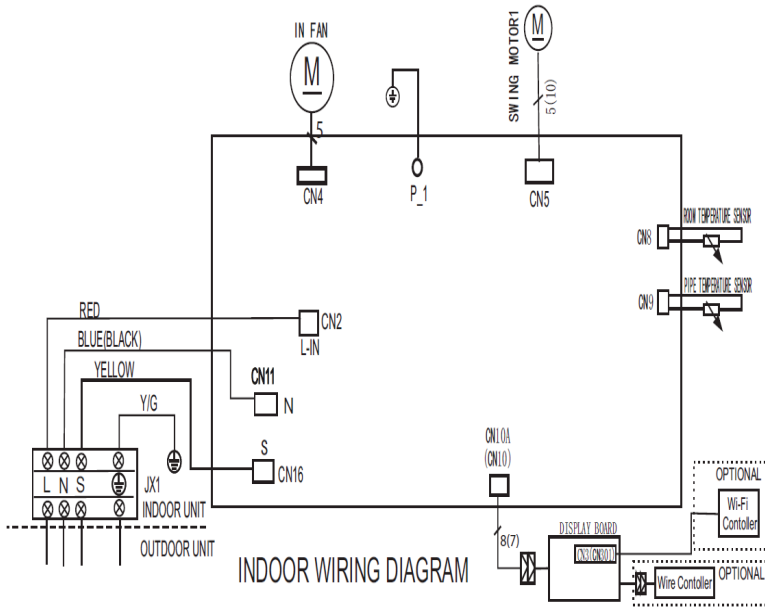


Fig. 3 – Mid Tier High Wall ONLY

NOTE: The Wi-Fi kit and the wired 7 day programmable controller cannot be installed at the same time for any kit covered in this installation manual.

6. Install the USB intermediate cable by connecting the white JST connector into terminal CN3 on the display board and route the wires (see Figure 4).

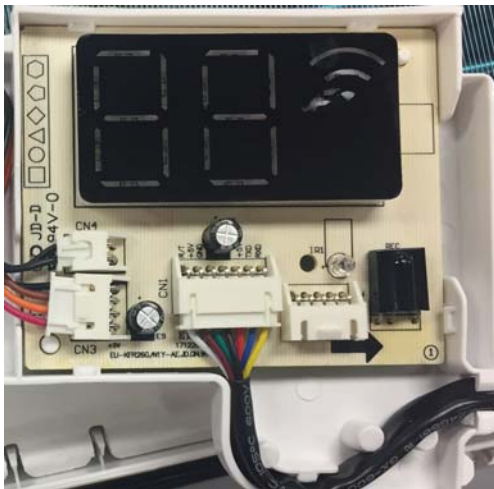


Fig. 4 – Connect the JST connector

7. Insert the Wi-Fi dongle into the black female USB port.
8. Once the wiring is complete, reassemble the high wall cover.
9. Turn on power to the high wall.
10. Complete the app setup instructions found in the Owner's Manual.

